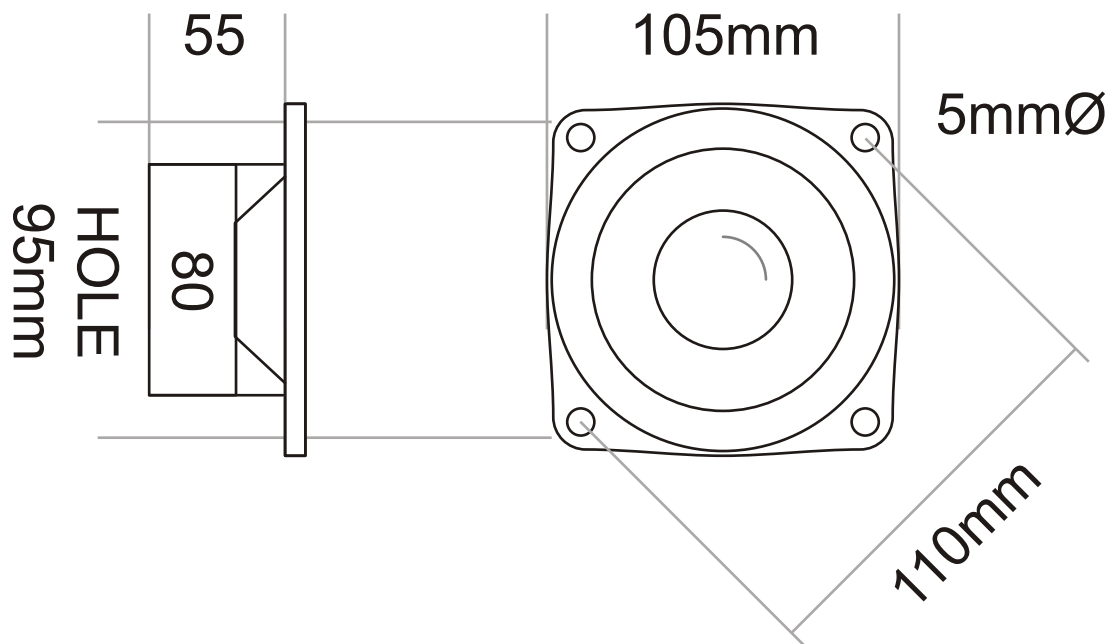


AW4-30



STONES SOUND STUDIO

Daiichi SRS series AW4-30 Bass / Mid 4"

60 watt 8 ohms

Poly-Cone ,Rubber Surround ,Large vented magnet , Long stroke , Cast Alloy Frame

* Loudspeaker Measurement System
* LMS(TM) 4.6.0.370 May/02/2007
* (C)opyright 1993-2000 by LinearX Systems Inc
* Electro Mechanical Parameters
* Oct 8, 2007 Mon 4:43 pm
* Library=DAIICHI_1007_01.lib
* Reference Curve=AW4-S50 sample 1
* Delta M/C Curve=AW4-S50 sample 1 +4.8gms
* Method= Double Curve - Delta Mass
Domain= FreeAir
Model= TSL
Revc= 6.300 Ohm
Fo= 54.989 Hz
Sd= 52.810 cm²
Krm= 719.536u Ohm
Erm= 0.966
Kxm= 13.394m H
Exm= 0.741
Vas= 3.847 Ltr
Cms= 971.457u M/N
Mmd= 8.403m Kg
Mms= 8.623 g
BL= 7.727 T·M
Qms= 4.462
Qes= 0.314
Qts= 0.294
No= 0.197 %
SPLo= 84.958 dB
* End