



SLS 8" Subwoofer



Type Number: 830667

Features:

The SLS line combines high quality performance with an affordable design. These transducers are ideal for use in systems with high power handling requirements, and are logically combined with the SDS line.

Driver Highlights: Coated paper cone, 39 mm voice coil, AL shorting ring in magnet system.

[Go to Application Notes.](#)



Specs:

Electrical Data

Nominal impedance	Zn	8	ohm
Minimum impedance	Zmin	5.9	ohm
Maximum impedance	Zo	71.3	ohm
DC resistance	Re	5.4	ohm
Voice coil inductance	Le	2.1	mH
Capacitor in series with x ohm	Cc	--	uF

T-S Parameters

Resonance Frequency	fs	36.5	Hz
Mechanical Q factor	Qms	7.8	
Electrical Q factor	Qes	0.59	
Total Q factor	Qts	0.54	
Ratio fs/Qts	F	67	
Force factor	Bl	8.3	Tm
Mechanical resistance	Rms	1.06	Kg/s
Moving mass	Mms	33	g
Suspension compliance	Cms	0.57	mm/N
Effective cone diameter	D	16.1	cm
Effective piston area	Sd	204	cm ²
Equivalent volume	Vas	33.1	ltrs
Sensitivity		87.2	dB
Ratio BL/√(Re)		3.6	

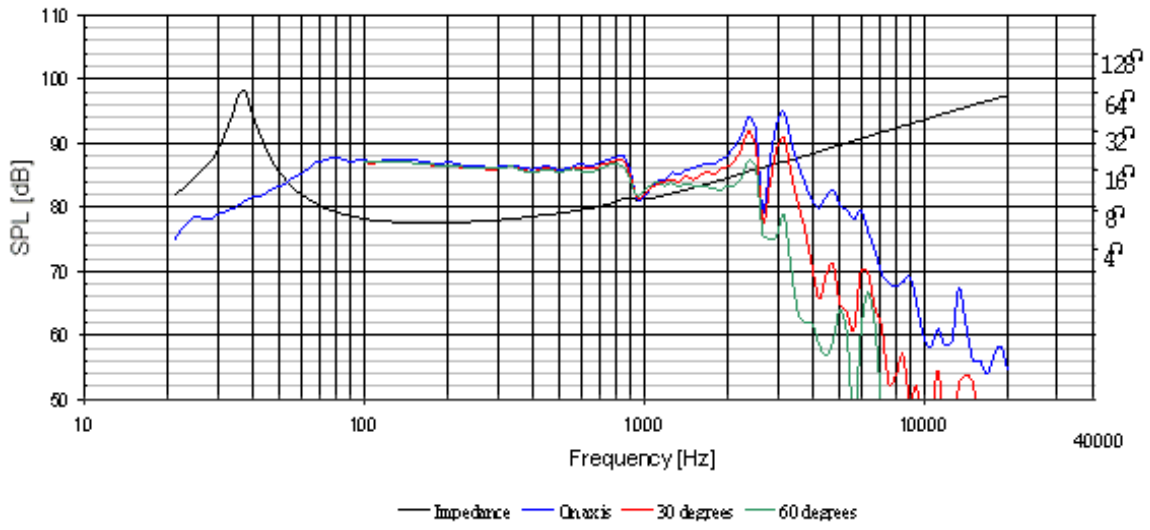
Power handling

100h RMS noise test (IEC)	--	W
Long-term Max System Power (IEC)	220	W
Max linear SPL (rms) @ power	--	dB/W
Short Term Max power	--	W

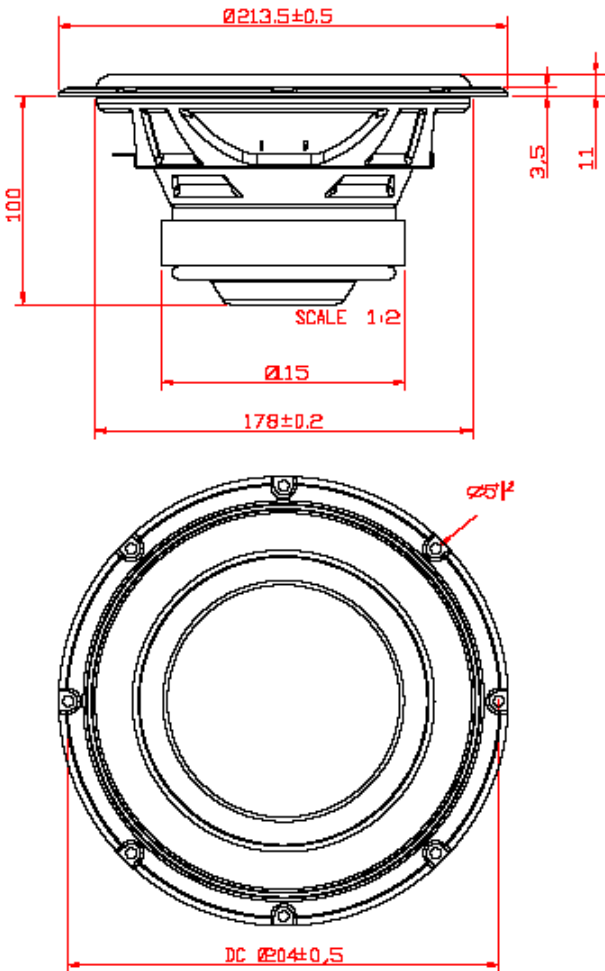
Voice Coil and Magnet Parameters

Voice coil diameter	39	mm
Voice coil height	25	mm
Voice coil layers	2	
Height of the gap	8	mm
Linear excursion +/-	8.5	mm
Max mech. excursion +/-	--	mm
Flux density of gap	--	mWb
Total useful flux	1.4	mWb
Diameter of magnet	115	mm
Height of magnet	22	mm
Weight of magnet	0.87	Kg

Frequency:



Mechanical Dimensions:





SLS
8" Subwoofer

Type Number: 830667

Application notes:

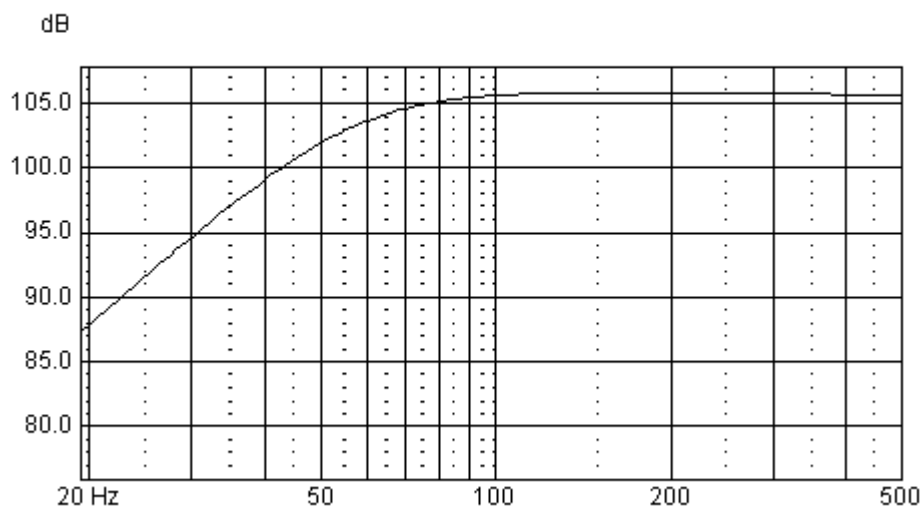
Driver Highlights: Coated paper cone, 39 mm voice coil, AL shorting ring in magnet system.

[Go to Data Sheet](#)

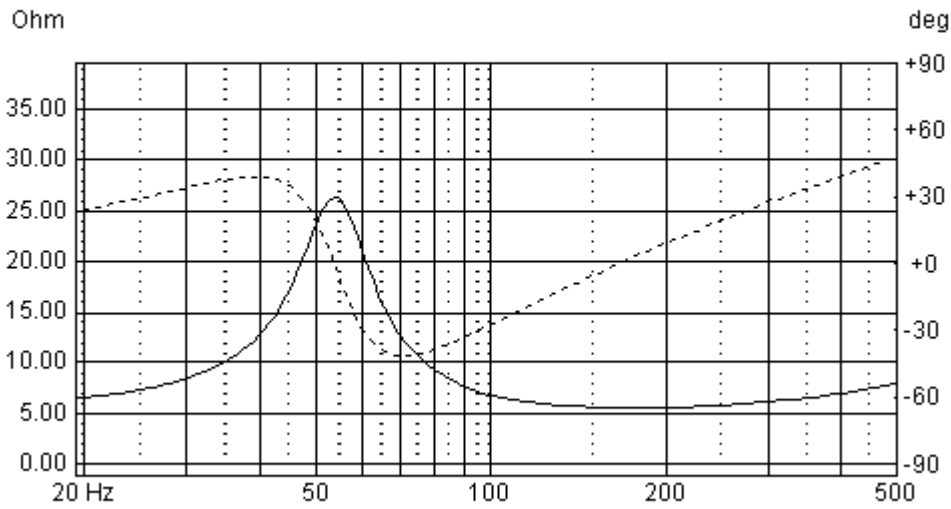
Tuning a Sealed Box

BOX PROPERTIES		
Alignment	Sealed box	
DRIVE UNIT	830667	
Box Volume	25	Ltr.
Fill	65	%
<i>f</i>_{-3dB}	55.43	Hz

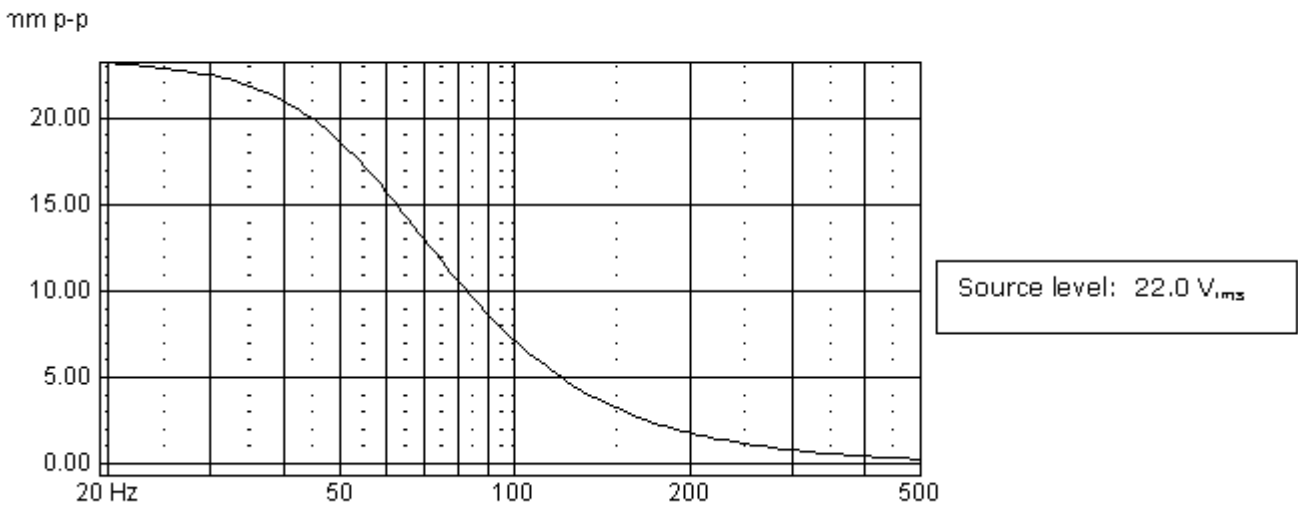
Frequency response : Half Space (2π) 1m distance



Impedance



Excursion



Transient Response: Impulse

