



XXLS 10" Subwoofer



Type Number: 830846

Features:

This new series of state-of-the-art subwoofers continue to enhance Peerless' reputation for delivering the highest quality components for bass in the world. Called the XXLS - for "Xpanded Extra Long Stroke" - these new audio transducers add even more excursion to the Peerless XLS line, and completely eliminate distortion.

Driver Highlights: Thick Nomex cone, 51 mm voice coil, ALP, DVC

[Go to Application Notes.](#)



Specs:

Electrical Data

Nominal impedance	Zn	4	ohm
Minimum impedance	Zmin	3.1	ohm
Maximum impedance	Zo	71.5	ohm
DC resistance	Re	2.6	ohm
Voice coil inductance	Le	1.6	mH
Capacitor in series with x ohm	Cc	--	uF

T-S Parameters

Resonance Frequency	fs	24.3	Hz
Mechanical Q factor	Qms	9.24	
Electrical Q factor	Qes	0.34	
Total Q factor	Qts	0.33	
Ratio fs/Qts	F	73	
Force factor	Bl	10.1	Tm
Mechanical resistance	Rms	1.48	Kg/s
Moving mass	Mms	89.7	g
Suspension compliance	Cms	0.48	mm/N
Effective cone diameter	D	21.2	cm
Effective piston area	Sd	352	cm ²
Equivalent volume	Vas	81.8	ltrs
Sensitivity		91	dB
Ratio BL/√(Re)		6.3	

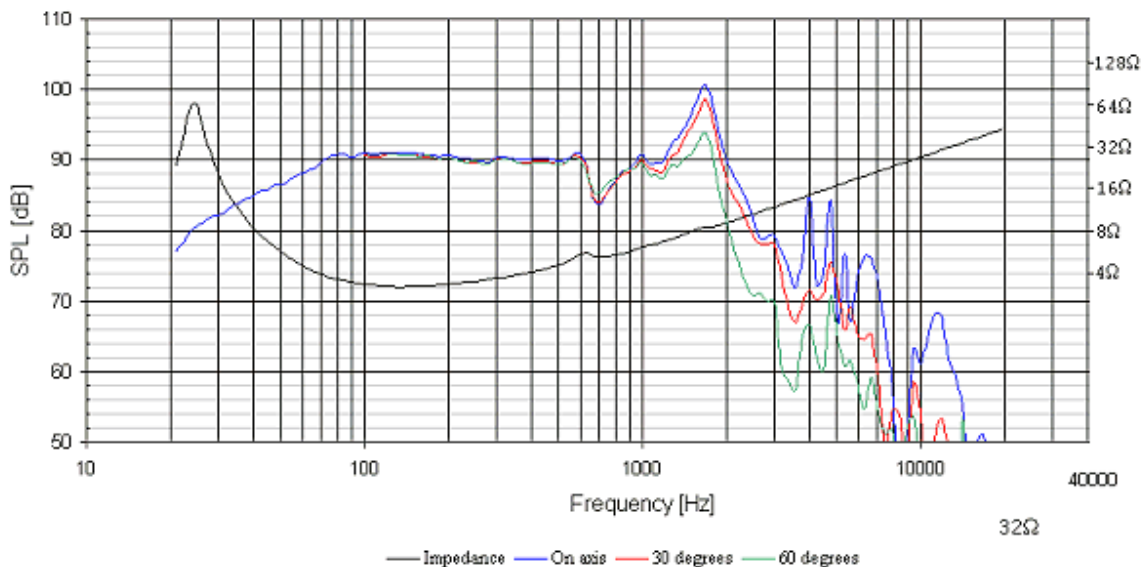
Power handling

100h RMS noise test (IEC)	175	W
Long-term Max System Power (IEC)	350	W
Max linear SPL (rms) @ power	--	dB/W
Short Term Max power	--	W

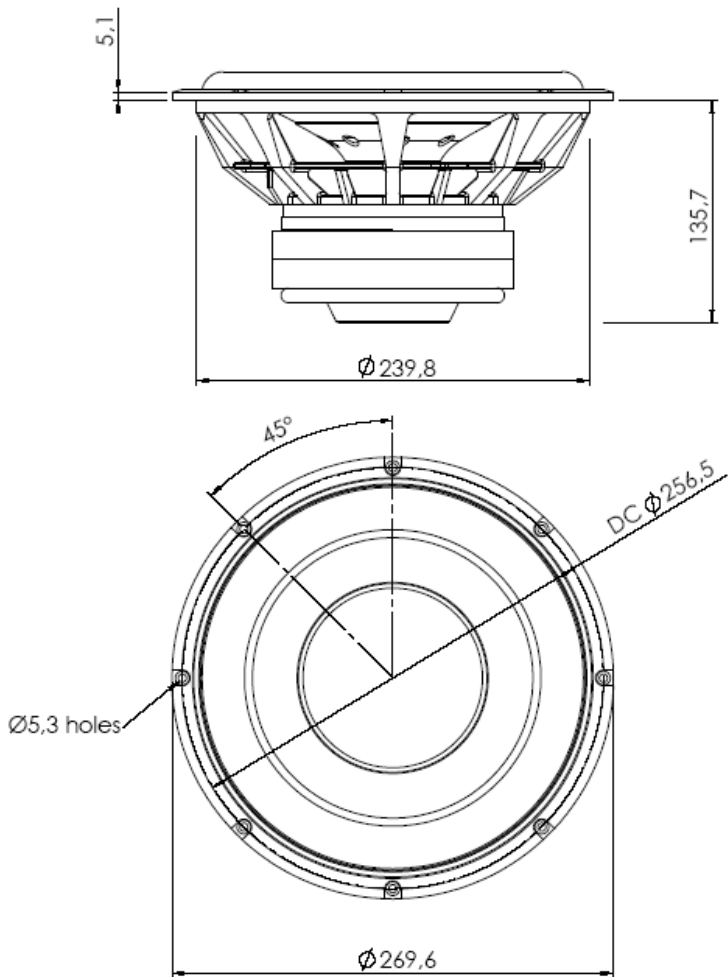
Voice Coil and Magnet Parameters

Voice coil diameter	51	mm
Voice coil height	33	mm
Voice coil layers	2	
Height of the gap	8	mm
Linear excursion +/-	12.5	mm
Max mech. excursion +/-	--	mm
Flux density of gap	--	mWb
Total useful flux	2.3	mWb
Diameter of magnet	147	mm
Height of magnet	35	mm
Weight of magnet	2.4	Kg

Frequency:



Mechanical Dimensions:





**XXLS
10" Subwoofer**

Type Number: 830846

Application notes:

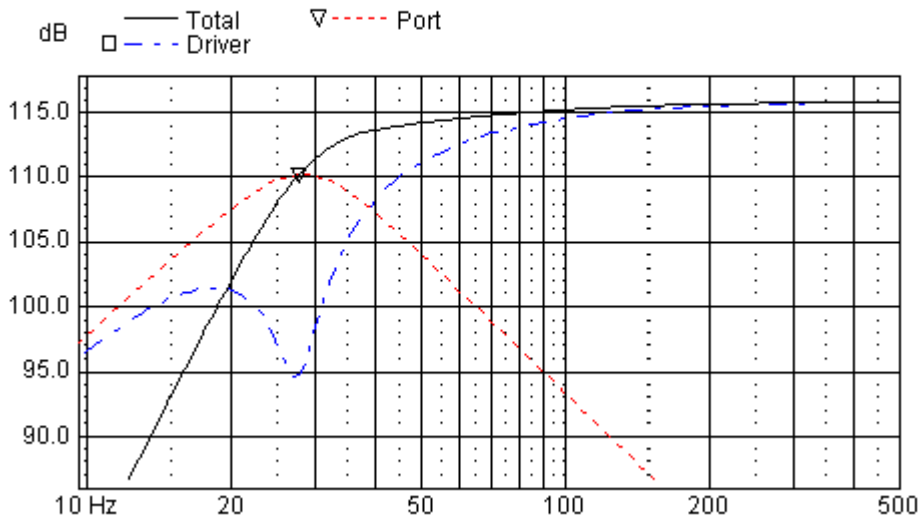
Driver Highlights: Thick Nomex cone, 51 mm voice coil, ALP, DVC

[Go to Data Sheet](#)

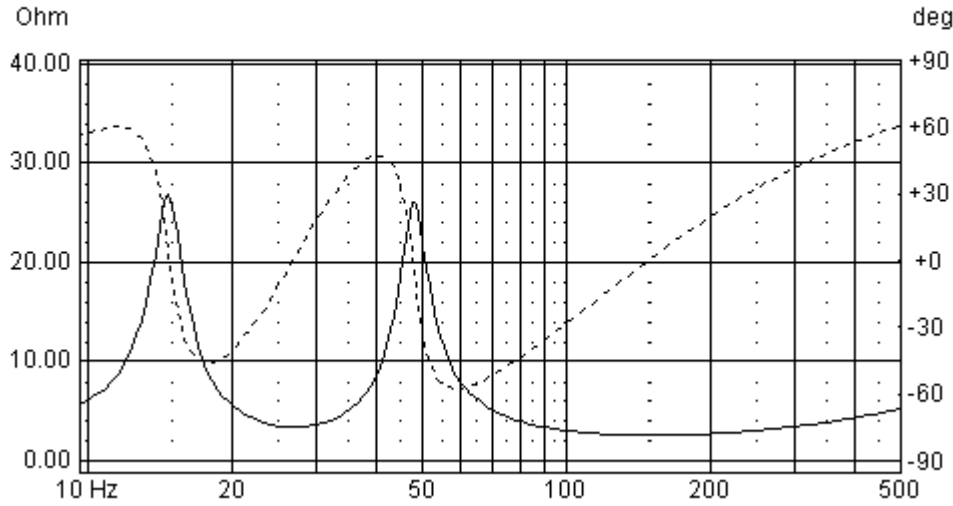
Tuning a Vented Box

BOX PROPERTIES		
Alignment	Bassreflex	
DRIVE UNIT	830846	
Box Volume	48	Ltr.
Port Length	41	Cm
Port Diameter	9	Cm
Fill	26	%
<i>f</i>_{-3dB}	34	Hz

Frequency response : Half Space (2π) 1m distance

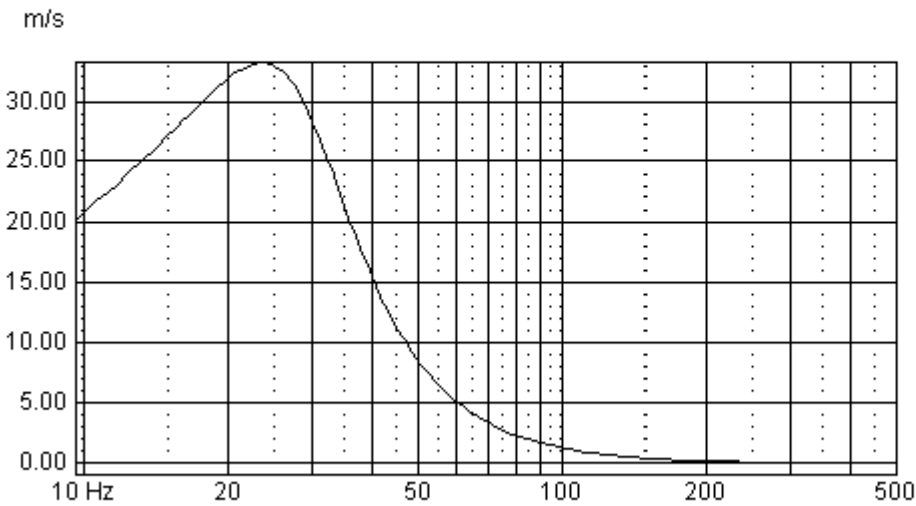


Impedance



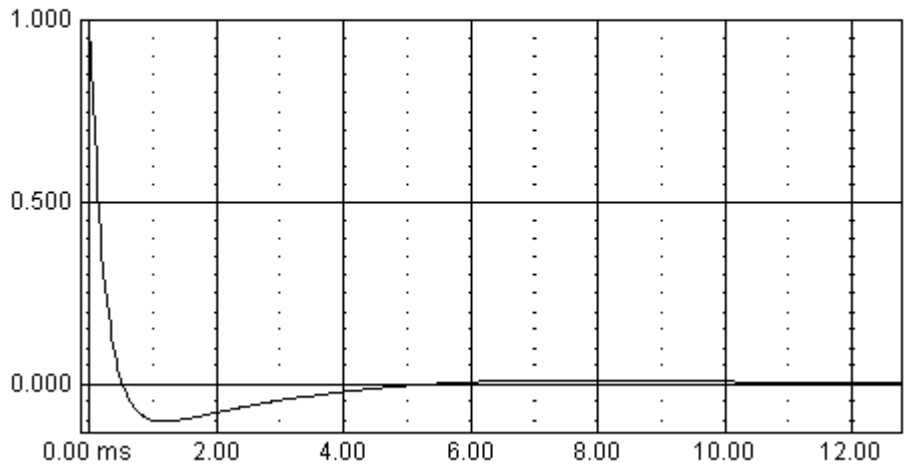
Air velocity in port

The dimensions of the duct take the air velocity into consideration and emphasis is put into keeping the Velocity (Duct noise) very low and below the limit of 35 m/s.



Source level: 39.0 V_{rms}

Transient Response: Impulse



Tymphany™ and \$brandname™ are trademarks of Tymphany Corporation. © 2006, Tymphany Corporation. All rights reserved. 010506