



SLS 15" Subwoofer



Type Number: 830867

Features:

The SLS line combines high quality performance with an affordable design. These transducers are ideal for use in systems with high power handling requirements, and are logically combined with the SDS line.

Driver Highlights: Coated paper cone, 76 mm voice coil, AL shorting ring in magnet system.

[Go to Application Notes.](#)



Specs:

Electrical Data

Nominal impedance	Zn	8	ohm
Minimum impedance	Zmin	6.3	ohm
Maximum impedance	Zo	101.3	ohm
DC resistance	Re	5.5	ohm
Voice coil inductance	Le	4.1	mH
Capacitor in series with x ohm	Cc	--	uF

T-S Parameters

Resonance Frequency	fs	23.6	Hz
Mechanical Q factor	Qms	5.17	
Electrical Q factor	Qes	0.3	
Total Q factor	Qts	0.28	
Ratio fs/Qts	F	84	
Force factor	Bl	20.4	Tm
Mechanical resistance	Rms	4.35	Kg/s
Moving mass	Mms	152	g
Suspension compliance	Cms	0.3	mm/N
Effective cone diameter	D	33.7	cm
Effective piston area	Sd	892	cm ²
Equivalent volume	Vas	329.4	ltrs
Sensitivity		94.1	dB
Ratio BL/√(Re)		8.7	

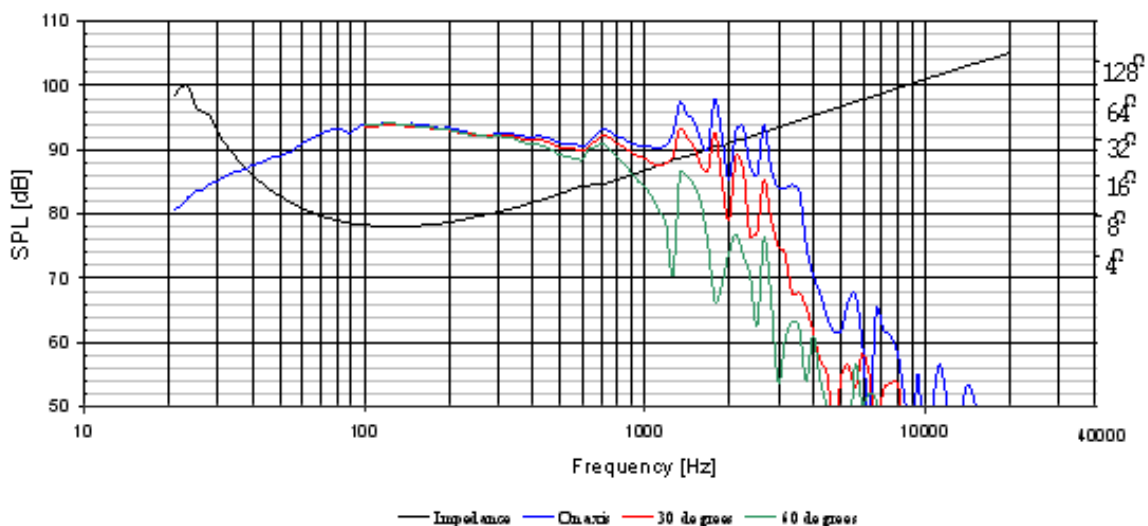
Power handling

100h RMS noise test (IEC)	--	W
Long-term Max System Power (IEC)	--	W
Max linear SPL (rms) @ power	--	dB/W
Short Term Max power	--	W

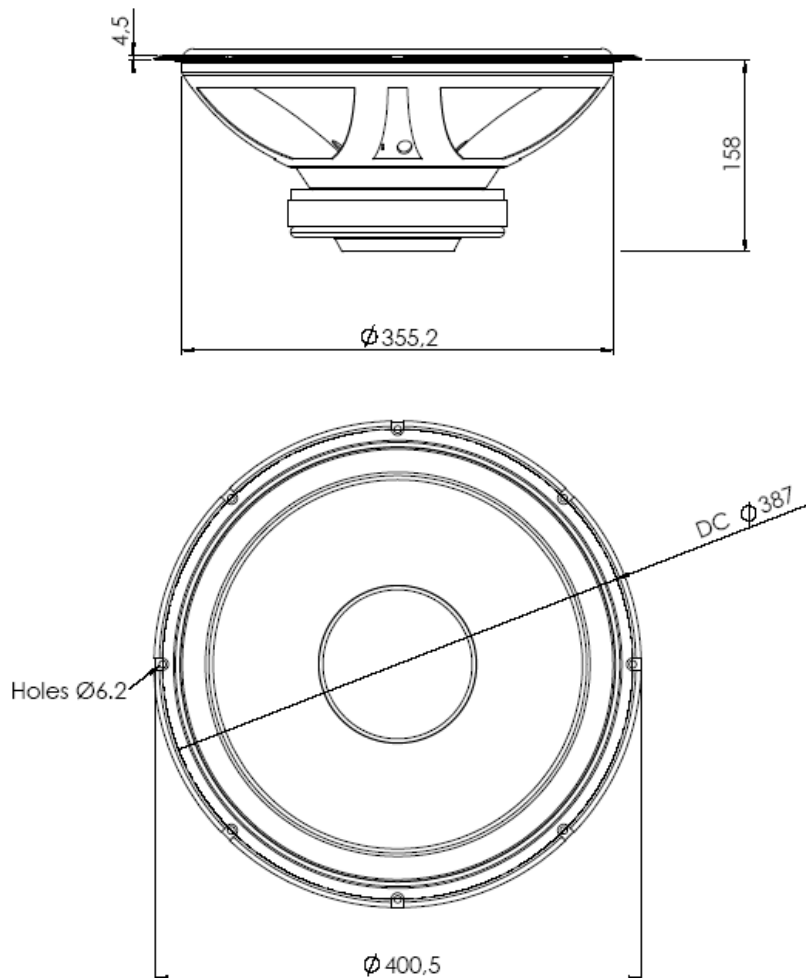
Voice Coil and Magnet Parameters

Voice coil diameter	76	mm
Voice coil height	24	mm
Voice coil layers	4	
Height of the gap	8	mm
Linear excursion +/-	8	mm
Max mech. excursion +/-	--	mm
Flux density of gap	--	mWb
Total useful flux	2.74	mWb
Diameter of magnet	190	mm
Height of magnet	22	mm
Weight of magnet	2.24	Kg

Frequency:



Mechanical Dimensions:





SLS 15" Subwoofer

Type Number: 830867

Application notes:

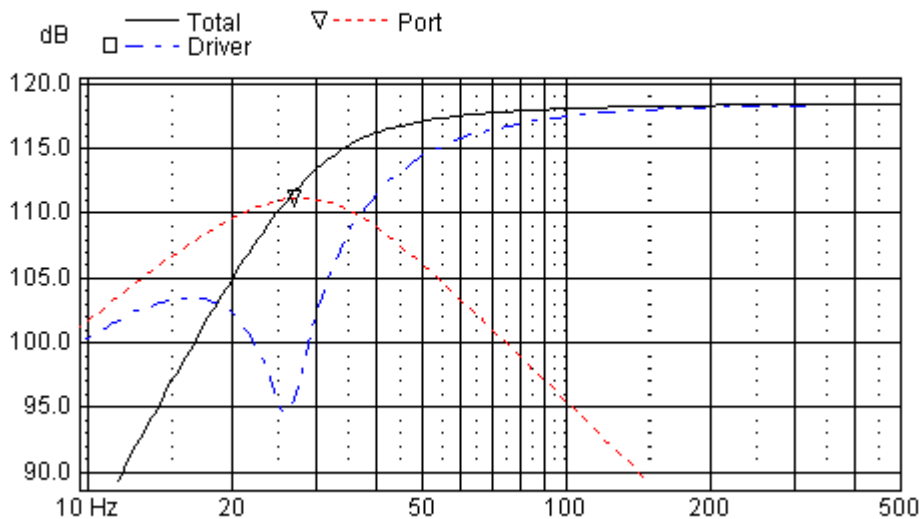
Driver Highlights: Coated paper cone, 76 mm voice coil, AL shorting ring in magnet system.

[Go to Data Sheet](#)

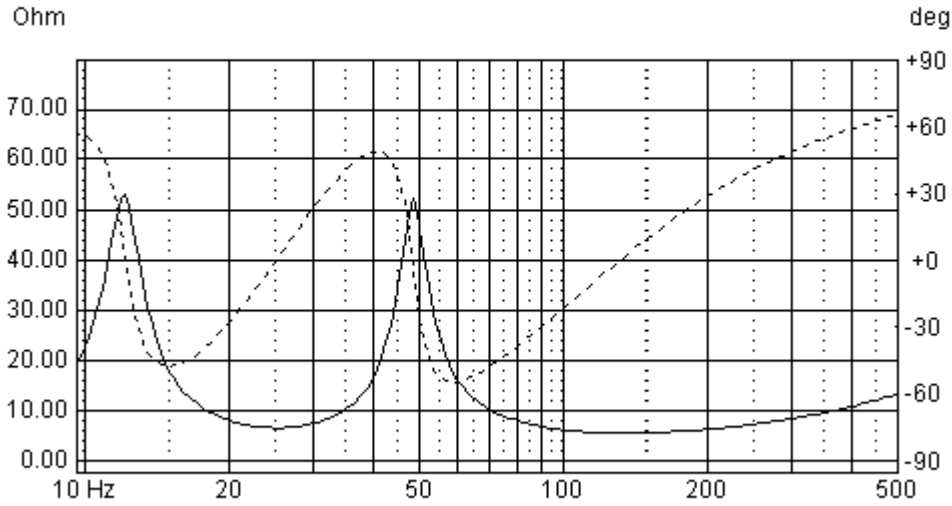
Tuning a Vented Box

BOX PROPERTIES		
Alignment	Bassreflex	
DRIVE UNIT	830867	
Box Volume	126	Ltr.
Port Length	18	Cm
Port Diameter	10	Cm
Fill	18	%
f_{-3dB}	36	Hz

Frequency response : Half Space (2 π) 1m distance

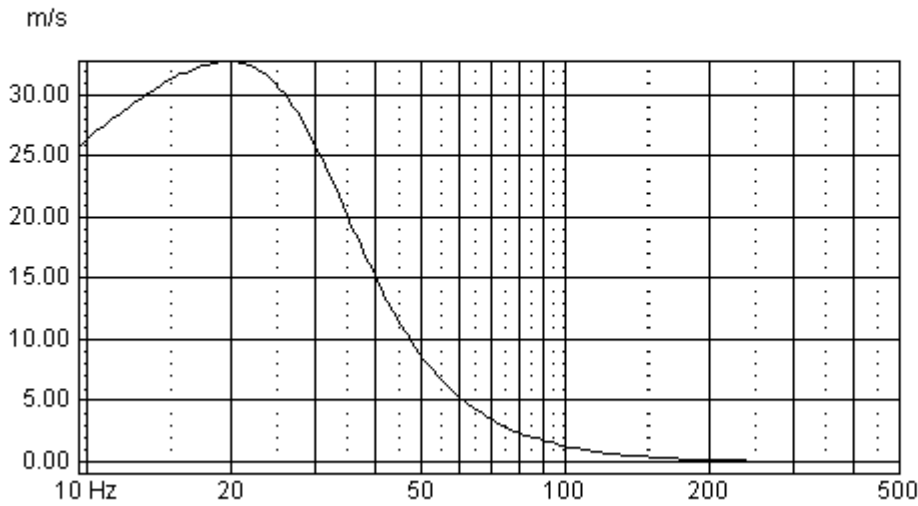


Impedance



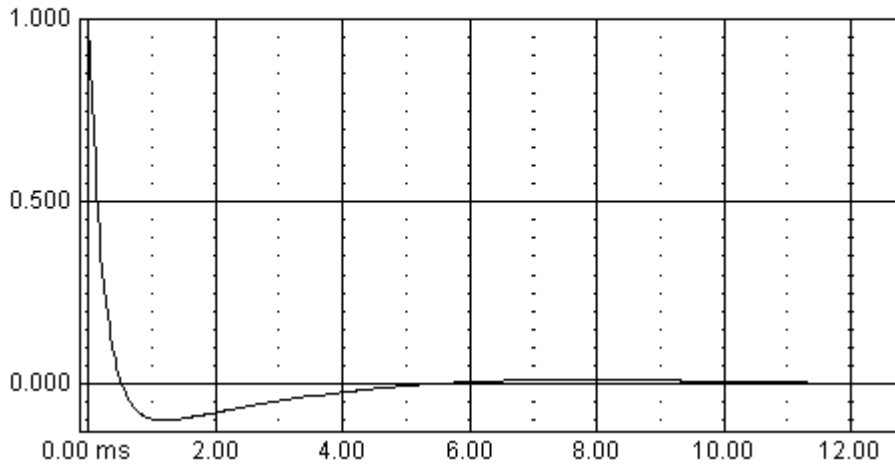
Air velocity in port

The dimensions of the duct take the air velocity into consideration and emphasis is put into keeping the Velocity (Duct noise) very low and below the limit of 35 m/s.



Source level: 45.5 V_{rms}

Transient Response: Impulse



Tymphany™ and \$brandname™ are trademarks of Tymphany Corporation. © 2006, Tymphany Corporation. All rights reserved. 010506