

Model Number: P830987
Description: 3inch 8ohm Full Range

Revision: rev 1_0
Date: Sep 9 09

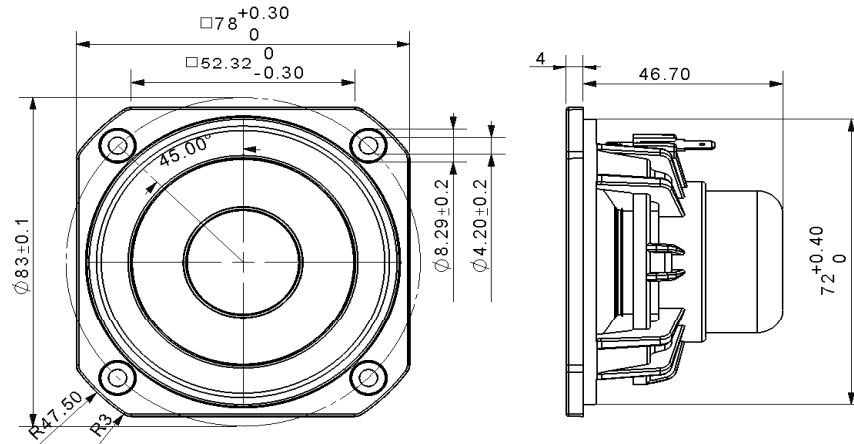


Peerless full range drivers set the standard for quality audio in products including flat panel televisions and sound bars, MP3 and cell phone docking stations, and multimedia PCs. With their high power handling, smooth, even dispersion and low distortion, the Peerless full range drivers can be paired with the Tymphany LAT250 for great bass performance.

Features include: A Neodymium motor structure and doubleventing system that helps keep dynamic range intact, as the transducer can handle more power and dissipate excess heat efficiently. An anodized aluminum dome provides superior sound dispersion and off-axis response. A semi-progressive surround reduces distortion, especially at high output through long excursion. The drivers' direct connected dome dust cap (connected to the magnet system voice coil) improves dispersion at high frequencies, providing superior sound on the high notes. The inserted copper cap on the pole piece ensures control the system impedance, thereby extending the upper frequency range.



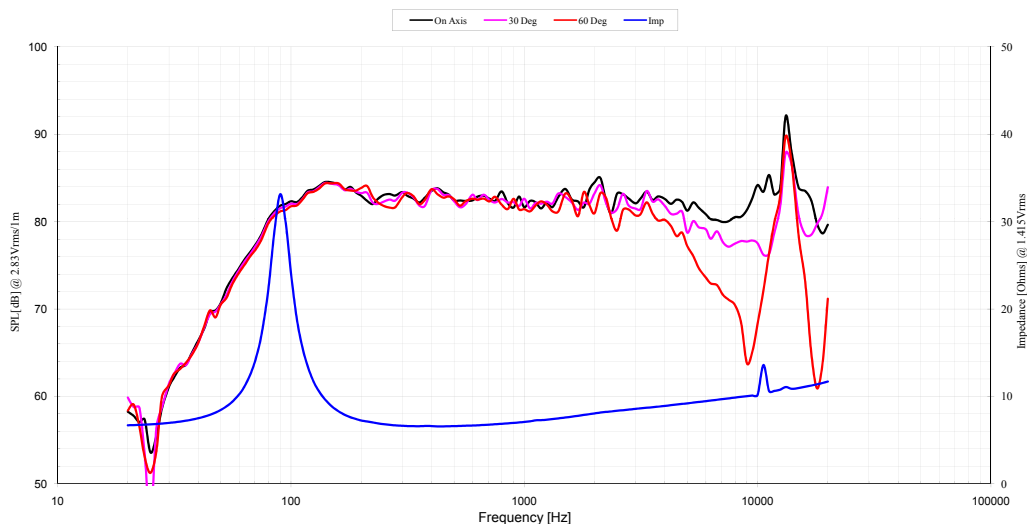
Mechanical 2D Drawing:



Specifications:

| | | | | | | | |
|-----------------------------------|---------------|----------------|------|----------------------------|-----------|--------------------------|----------|
| DC Resistance | R_{vc} | Ω | 6.2 | Energy Bandwidth Product | EBP | $(1/Q_{es}) \cdot f_s$ | 90 |
| Minimum Impedance | Z_{min} | Ω | 6.6 | Moving Mass | M_{ms} | g | 2.52 |
| Voice Coil Inductance | L_e | mH | 0.05 | Suspension Compliance | C_{ms} | um/N | 1000.3 |
| Resonant Frequency | f_s | Hz | 100 | Effective Cone Diameter | D | cm | 5.9 |
| Mechanical Q Factor | Q_{ms} | - | 6.1 | Effective Piston Area | S_D | cm ² | 27.3 |
| Electrical Q Factor | Q_{es} | - | 1.11 | Equivalent Volume | V_{as} | L | 1.05 |
| Total Q Factor | Q_{ts} | - | 0.94 | Motor Force Factor | BL | T·m | 2.98 |
| Ratio f_s / Q_{es} | F | f_s / Q_{es} | 106 | Motor Efficiency Factor | β | $(T \cdot m^2) / \Omega$ | 1.43 |
| Half Space Sensitivity @ 2.83V | dB@2.83V/1m | dB | 82.6 | Voice Coil Former Material | VC_{fm} | - | Aluminum |
| Rated Noise Power (IEC 2685 18.1) | P | W | 15 | Voice Coil Inner Diameter | VC_d | mm | 25.7 |
| Test Spectrum Bandwidth | 100hz - 20khz | 12 dB/Oct | | Maximum Linear Excursion | X_{max} | mm | 2.05 |
| | | | | Transducer Mass | | kg | 0.22 |

Frequency and Impedance Response:



F088-0713A