



831975 WOOFER/MID 6½" MAGNETICALLY SHIELDED

A well damped polypropylene cone with low resonance rubber roll surround. Ventilated dust cap, large diameter aluminium voice coil for high power. Large shielded magnet for use as a centre speaker, etc. and due to its high performance this speaker is also quite suitable for main and surround boxes, or even small subwoofer applications, giving impressive results satisfying most applications.

Peerless Recommend: "F(ratio) for this driver is 107, and the driver is very suitable for vented boxes.

25 ltr box. 1 port. Diameter 70 mm. Length 140 mm. Tuning freq 48 Hz. Response, - 3 dB appr at 48 Hz.

25 ltr box. 1 port. Diameter 55 mm. Length 80 mm. Tuning freq 48 Hz. Response, - 3 dB appr at 48 Hz.

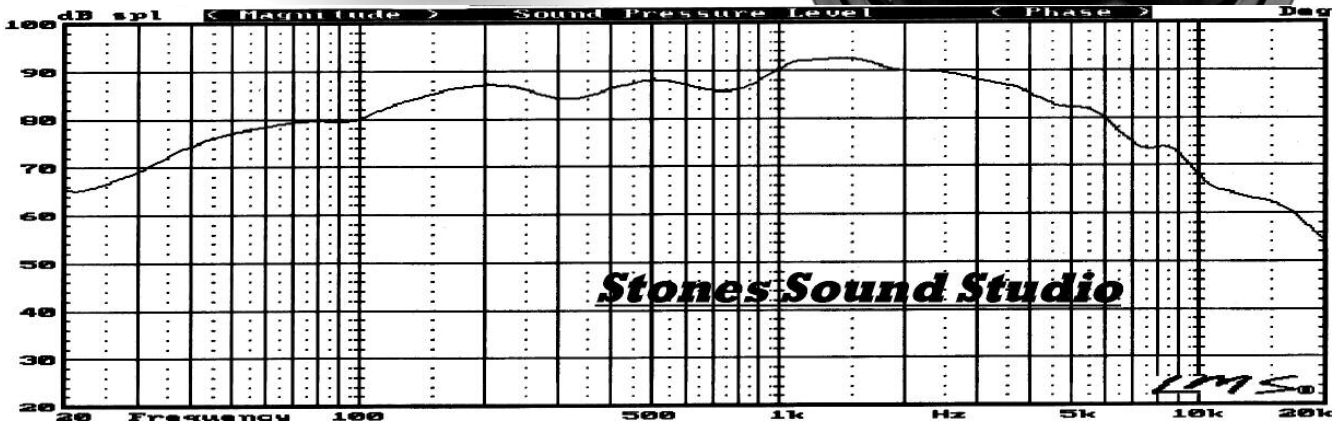
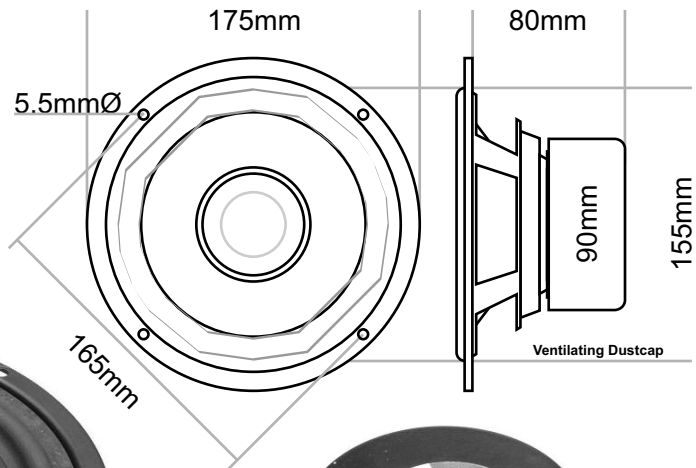
15 ltr box. 1 port. Diameter 40 mm. Length 50 mm. Tuning freq 55 Hz. Response, - 3 dB appr at 55 Hz.

15 ltr box. 1 port. Diameter 55 mm. Length 120mm. Tuning freq 55 Hz. Response, - 3 dB appr at 55 Hz.

The driver can also be used into parallel configurations for larger boxes.

Cross-over freq between 1500-3000 Hz is recommendable for this model."

P/No.	176 WR 26 72 PPB TV
Pwr	100Wrms (20Hz-5KHz)
Coil	26mmØ
Mag	½Kg (1.2T) 72mmØ
Zo	33.8432 ohm (6.20ohm dc)
Fs	50.6Hz
Sens'	88.5dBm
Qms	2.42
Qes	0.54
Qts	0.44
Vas	19.35L
Code	831975



Speakers Of
Cutting Edge Technology