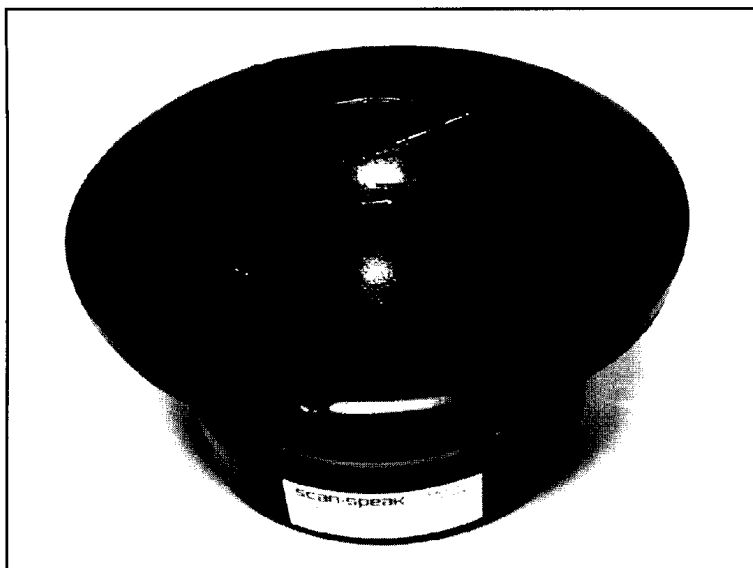




Midwoofers

15W/8530K00
Revelator

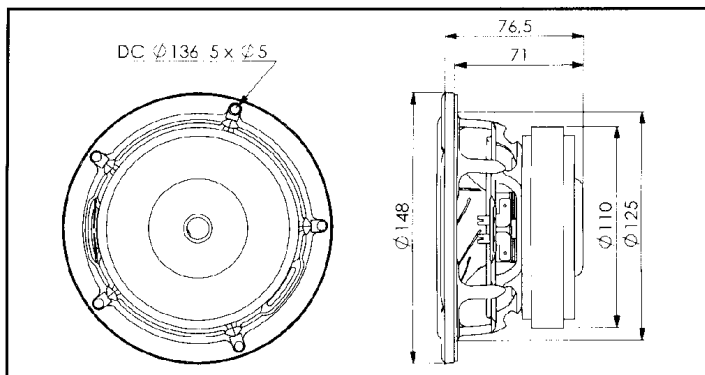
All your senses
are related



Description

The 15W/8530K00 is a 5 1/2" reference mid/woofer. It features non-resonant cone and cap structure, dynamic linear suspension, SD-1 patented magnet system, "Grasshopper" chassis with maximized air flow and resonance terminating mounting system. The ultra long throw voice coil uses aluminium wire wound on a paper reinforced Kapton former. Less resonance in all structures, lower compression and higher linearity from the suspension, faster termination of excess energy and higher sound pressure capability make the 15W have a much more musical and naturally dynamic and open character than any other 5 1/2" drive unit we know of. Expect the 15W to give more bass output from small cabinet volumes than you would ever have imagined.

The 15W is also available with a 90mm magnet system (15W/8530K01).



Technical data:	110 mm magnet	90 mm magnet
Characteristic sensitivity (2.83V / 1m) :	85.5 dB	84.5 dB
Recommended frequency range :	30 - 6000 Hz	30 - 6000 Hz
Free air resonance frequency, f_s :	30 Hz	30 Hz
DC resistance, R_e :	5.8 Ω	5.8 Ω
Voice coil inductance, L_e :	0.35 mH	0.35 mH
Effective piston area, S_d :	95 cm ²	95 cm ²
Moving mass incl. air, m_j :	13 g	13 g
Mechanical loss, R_m :	0.5 Ns/m	0.5 Ns/m
Force factor, BL :	7.0 Tm	6.1 Tm
Equivalent volume, V_{as} :	28 ltr.	28 ltr.
Mechanical Q-factor, Q_{ms} :	4.9	4.9
Electrical Q-factor, Q_{es} :	0.29	0.38
Total Q-factor, Q_{ts} :	0.27	0.35
Excursion, lin./max. :	$\pm 6.5 / \pm 9$ mm	$\pm 6.5 / \pm 9$ mm
Voice coil diameter :	38 mm	38 mm
Rated power handling :	60 W	60 W
Net weight :	1.6 kg	1.3 kg

