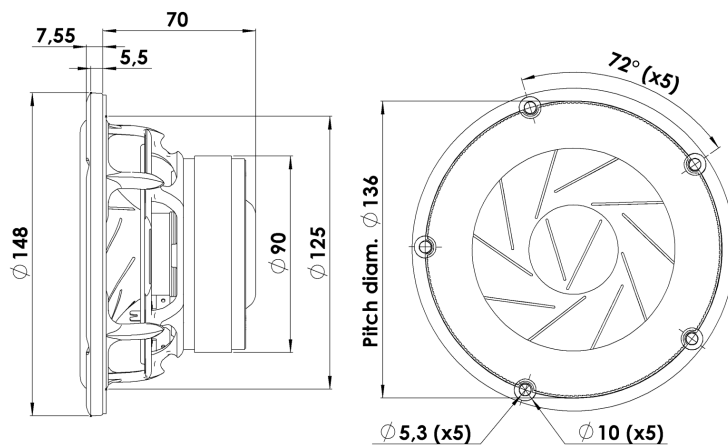


REVELATOR

MIDWOOFER

15W/8530K01

The Revelator midrange and midwoofers, both well known for their sliced paper cone technology. The slices are filled with damping glue, which dramatically reduces breakup modes in the diaphragm. In combination with Scan-Speaks low-loss linear suspension and the patented Symmetrical Drive (SD-1) it represented a breakthrough in midrange clarity and overall smooth frequency response characteristics.



KEY FEATURES:

- Patented Symmetrical Drive Motor Design
- Coated Paper Cone
- Low Damping SBR Rubber Surround
- Sliced Cone (Controls Cone Breakups)
- Low-Loss linear suspension
- Die cast Alu Chassis vented below spider

T-S Parameters

Resonance frequency [fs]	32 Hz
Mechanical Q factor [Qms]	5.23
Electrical Q factor [Qes]	0.44
Total Q factor [Qts]	0.41
Force factor [Bl]	5.9 Tm
Mechanical resistance [Rms]	0.50 kg/s
Moving mass [Mms]	13 g
Suspension compliance [Cms]	1.90 mm/N
Effective diaph. diameter [D]	110 mm
Effective piston area [Sd]	95 cm ²
Equivalent volume [Vas]	24.0 l
Sensitivity (2.83V/1m)	84.5 dB
Ratio Bl/√Re	2.45 N/√W
Ratio fs/Qts	79 Hz

Notes:

IEC specs. refer to IEC 60268-5 third edition.
All Scan-Speak products are RoHS compliant.
Data are subject to change without notice.
Datasheet updated: February 22, 2011.

Electrical Data

Nominal impedance [Zn]	8 Ω
Minimum impedance [Zmin]	6.9 Ω
Maximum impedance [Zo]	74.7 Ω
DC resistance [Re]	5.8 Ω
Voice coil inductance [Le]	0.35 mH

Power Handling

100h RMS noise test (IEC 17.1)	60 W
Long-term max power (IEC 17.3)	- W

Voice Coil and Magnet Data

Voice coil diameter	38 mm
Voice coil height	18 mm
Voice coil layers	2
Height of gap	5 mm
Linear excursion	± 6.5 mm
Max mech. excursion	± 9 mm
Unit weight	1.2 kg

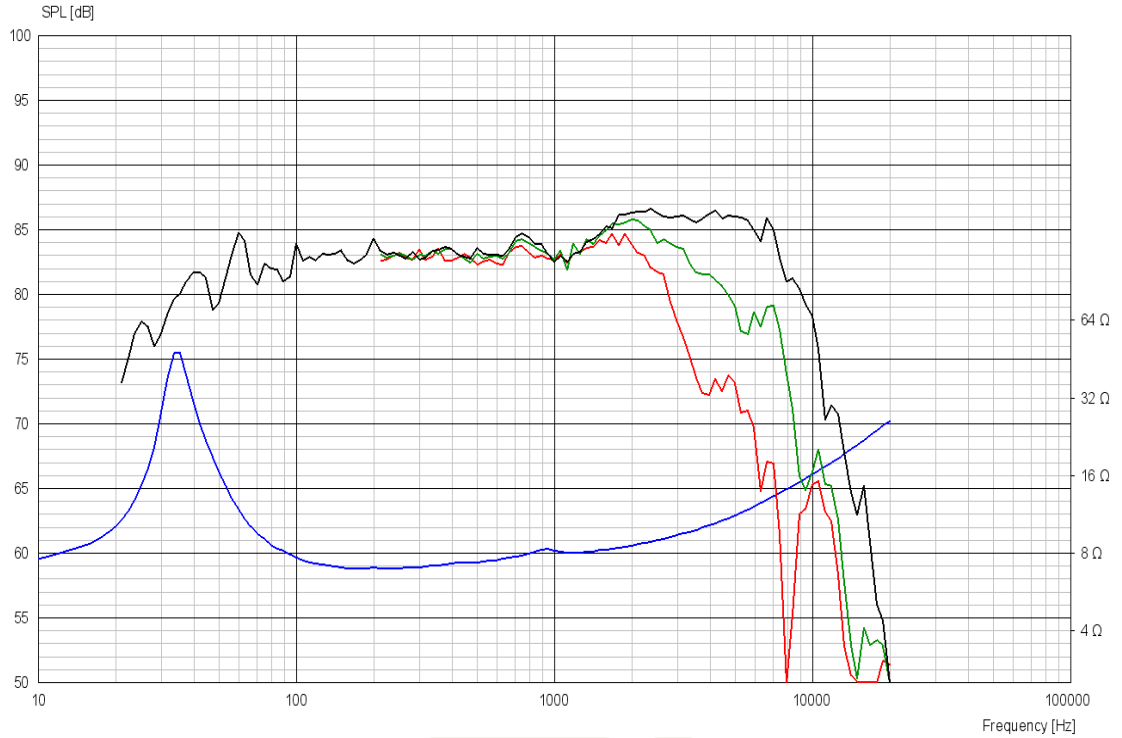




REVELATOR

MIDWOOFER

15W/8530K01



Advanced Parameters (Preliminary)



Electrical data:

Resistance [Re']	5.93 Ω
Free inductance [Leb]	0.131 mH
Bound inductance [Le]	0.927 mH
Semi-inductance [Ke]	0.0232 SH
Shunt resistance [Rss]	1813 Ω

Mechanical Data

Force Factor [Bl]	4.97 Tm
Moving mass [Mms]	13.2 g
Compliance [Cms]	1.68 mm/N
Mechanical resistance [Rms]	0.138 kg/s
Admittance [Ams]	0.224 mm/N

