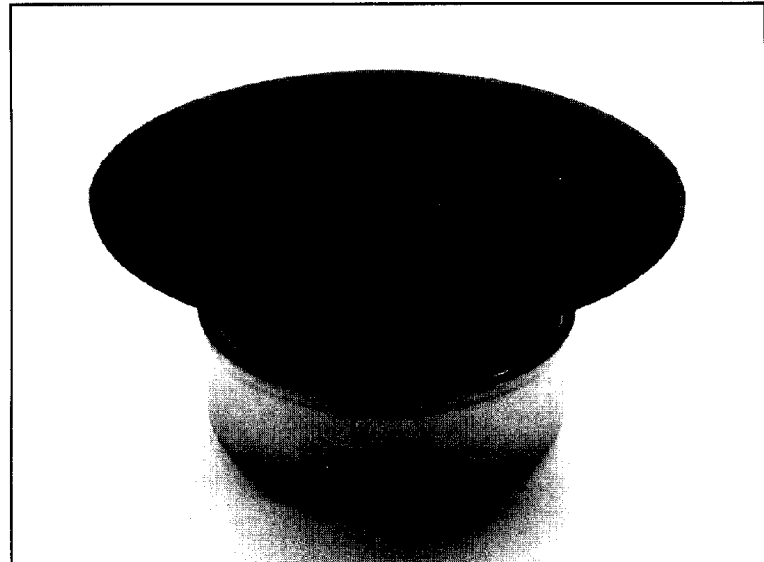
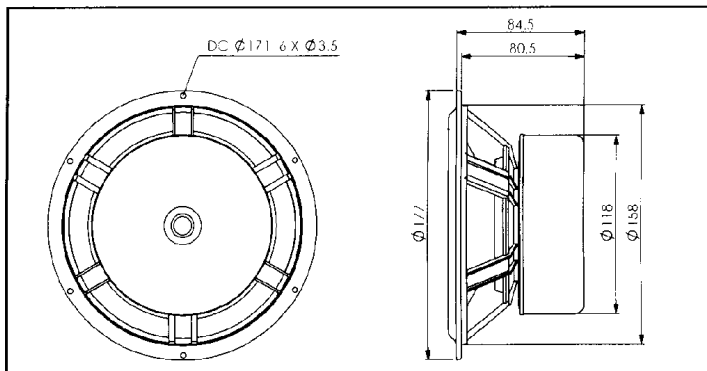


All your senses
are related



Description

18S/8535-00 is a 6 1/2" shielded mid/woofer designed with the patented SD-1 magnet system which almost eliminates modulation and dynamic distortion and reduces clipping distortion generated as the drive unit exceeds its maximum linear excursion. The vented cup and front plate specially made for this magnet system and the specially chosen bucking magnet provide extremely good shielding. The carbon fibre filled paper cone is impregnated and coated to damp resonance normally associated with stiff cones. The low loss linear suspension, especially the rubber surround, combines dynamic linearity with low coloration. This drive unit is optimized for larger bass reflex enclosures and is capable of reproducing very deep and precise bass.



Technical data:

- Characteristic sensitivity (2.83V / 1m) : 86.5 dB
- Recommended frequency range : 26 - 3500 Hz
- Free air resonance frequency, f_s : 26 Hz
- DC resistance, R_e : 5.8 Ω
- Voice coil inductance, L_e : 0.3 mH
- Effective piston area, S_d : 145 cm²
- Moving mass incl. air, m_d : 15.5 g
- Mechanical loss, R_m : 1.0 Ns/m
- Force factor, BL : 5.6 Tm
- Equivalent volume, V_{as} : 72 ltr.
- Mechanical Q-factor, Q_{ms} : 2.5
- Electrical Q-factor, Q_{es} : 0.47
- Total Q-factor, Q_{ts} : 0.40
- Excursion, lin./max. : $\pm 5.0 / \pm 10$ mm
- Voice coil diameter : 38 mm
- Rated power handling : 70 W
- Net weight : 2.5 kg

