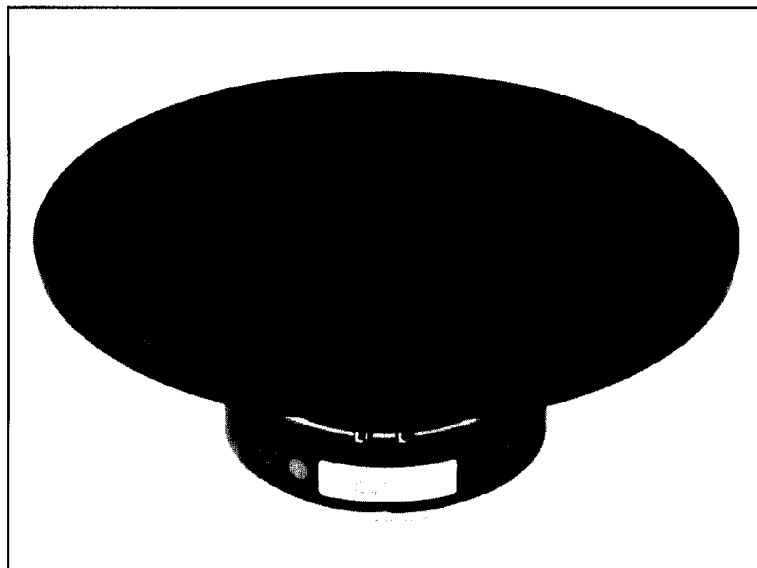


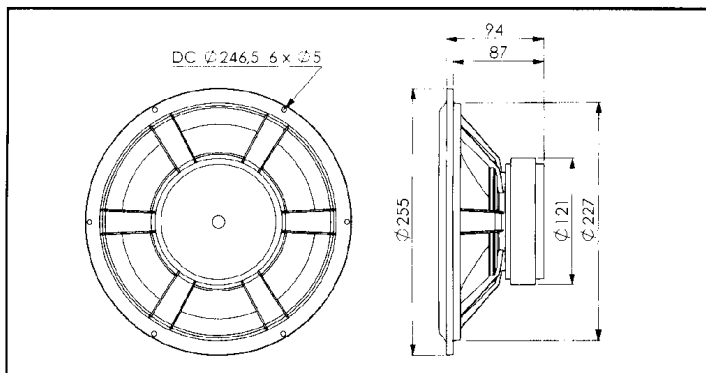


All your senses
are related



Description

25W/8565-00 is a 10" woofer designed with the patented SD-1 magnet system which almost eliminates impedance variations during dynamic operation. This reduces harmonic distortion and lowers clipping distortion normally generated as the drive unit is driven to perform more than its linear max. The hard paper cone is very rigid and perfect for bass reproduction. The special coating provides sufficient damping to ensure a minimum of resonance in the bass area. The low loss linear suspension reduces compression and gives the drive unit maximum dynamic capability and better detailing. The voice coil uses aluminium wire wound on Kapton foil.



Technical data:

| | |
|---|-------------------------|
| Characteristic sensitivity (2.83V / 1m) | : 88 dB |
| Recommended frequency range | : 20 - 600 Hz |
| Free air resonance frequency, f_s | : 20 Hz |
| DC resistance, R_e | : 5.5 Ω |
| Voice coil inductance, L_e | : 0.4 mH |
| Effective piston area, S_d | : 330 cm ² |
| Moving mass incl. air, m_d | : 43 g |
| Mechanical loss, R_m | : 1.0 Ns/m |
| Force factor, BL | : 8.2 Tm |
| Equivalent volume, V_{as} | : 229 ltr. |
| Mechanical Q-factor, Q_{ms} | : 5.4 |
| Electrical Q-factor, Q_{es} | : 0.44 |
| Total Q-factor, Q_{ts} | : 0.41 |
| Excursion, lin./max. | : $\pm 6.5 / \pm 12$ mm |
| Voice coil diameter | : 42 mm |
| Rated power handling | : 100 W |
| Net weight | : 2.6 kg |

