



SCAN SPEAK

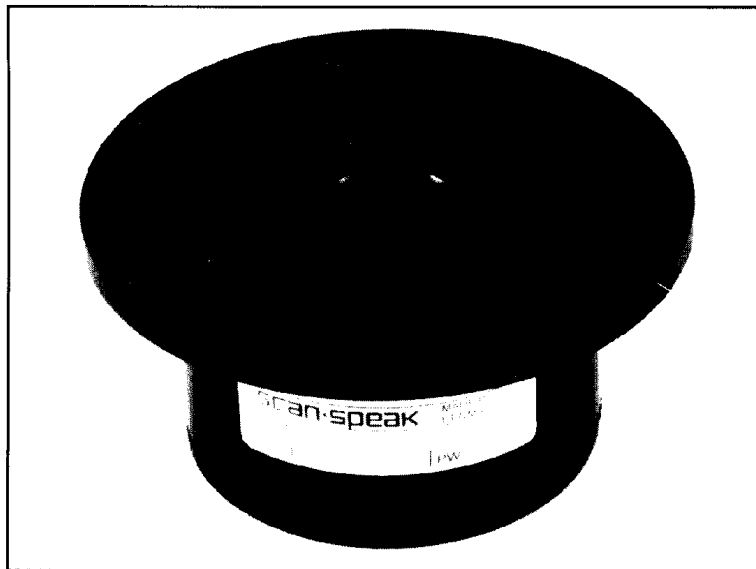


All your senses  
are related



# Tweeters

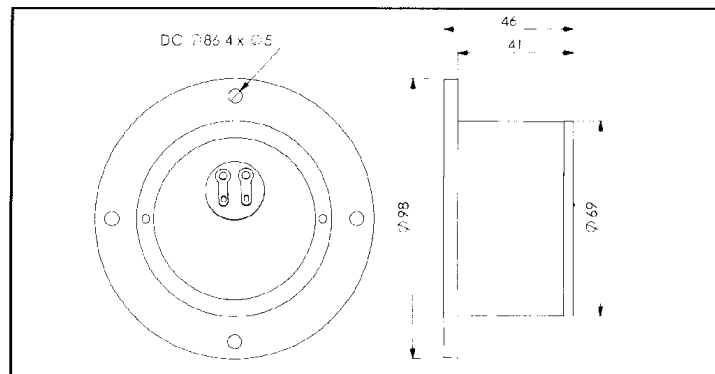
D2010/851300



## Description

D2010/851300 is a 3/4" tweeter with a very smooth response and wide dispersion. It features ferro fluid in the air gap for higher power handling. Sound reproduction is detailed and very dynamic. The optimized double chamber design provides perfect tuning and damping. Acoustic damping of the diaphragm surround reduces distortion and stabilizes the acoustic centre. The multi-layer front design reduces mechanical resonance and the concave back plate ensures maximum rigidity. Carefully hand-coated textile diaphragm.

D2010 is also available without ferro fluid (D2010/851100).



## Technical data:

Characteristic sensitivity (2.83V / 1m) :	90 dB
Recommended frequency range :	4 - 20 kHz
Free air resonance frequency, $f_s$ :	800 Hz
DC resistance, $R_e$ :	5.7 $\Omega$
Voice coil inductance, $L_e$ :	0.07 mH
Effective piston area, $S_d$ :	3.8 cm <sup>2</sup>
Moving mass incl. air, $m_d$ :	0.25 g
Force factor, BL :	2.4 Tm
Excursion, lin./max. :	$\pm 0.7 / \pm 1.2$ mm
Voice coil diameter :	19 mm
Rated power handling :	150 W (12 dB/oct. cross-over at 4 kHz)
Net weight :	0.4 kg

SPL [dB]

