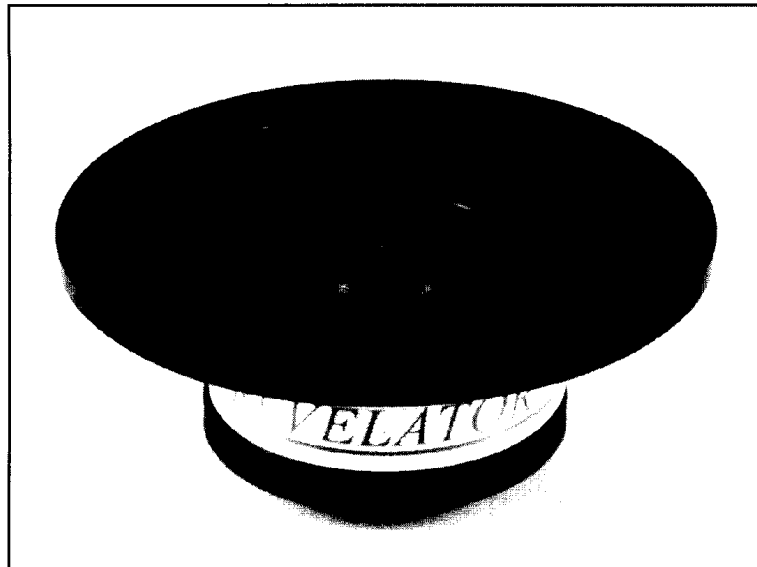


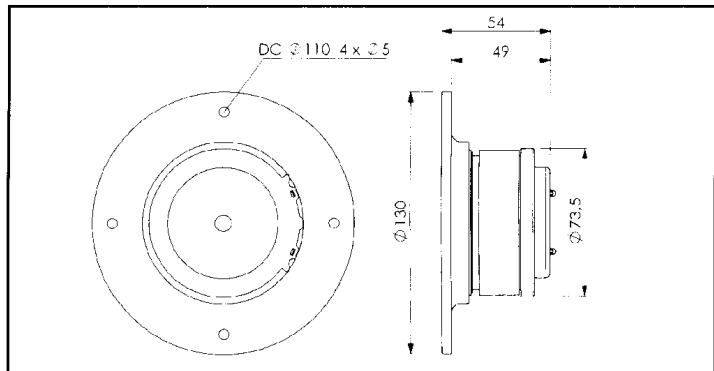


All your senses  
are related.



### Description

D2905/990000 is our state of the art 1" textile dome tweeter. The magnet system uses our Symmetric Drive technology which almost eliminates electrical phase shift. A carefully designed chamber under the surround minimizes air noise and compression. The Symmetric Drive copper caps also act as heat conductors. High power handling is obtained without ferro fluid in the air gap. This improves micro-dynamic linearity. The machined front plate has a controlled directivity down to 2 kHz. This makes the Revelator ideal for 2-way loudspeaker systems. The sound reproduction is simply outstanding.



### Technical data:

Characteristic sensitivity (2.83V / 1m)	: 91 dB
Recommended frequency range	: 2 - 30 kHz
Free air resonance frequency, $f_s$	: 500 Hz
DC resistance, $R_e$	: 4.7 $\Omega$
Voice coil inductance, $L_e$	: 0.01 mH
Effective piston area, $S_d$	: 8.5 cm <sup>2</sup>
Moving mass incl. air, $m_d$	: 0.45 g
Force factor, BL	: 3.5 Tm
Excursion, lin./max.	: $\pm 0.4 / \pm 1.5$ mm
Voice coil diameter	: 28 mm
Rated power handling	: 225 W (12 dB/oct. cross-over at 2.8 kHz)
Net weight	: 0.8 kg

