

Model Number: BC25TG18-04  
Product Line: Peerless PAE

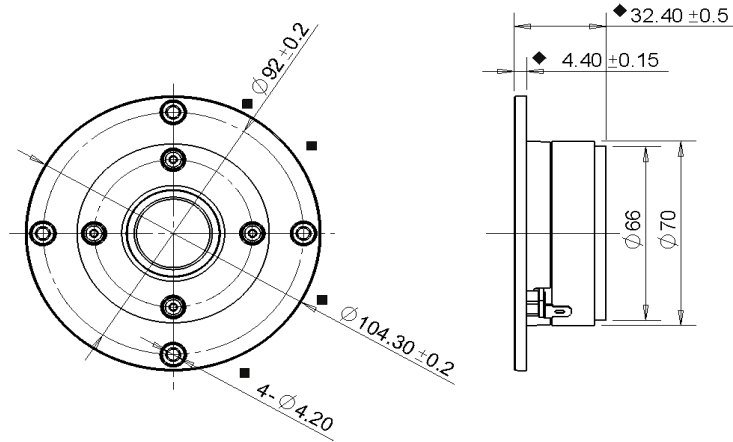


**Product Description:**

This BC family tweeter features a 4 ohm 25 mm voice coil, a damped fabric dome for smooth frequency response performance, and ferrofluid in the gap of the ferrite magnet motor, providing enhanced cooling of the voice coil. The tweeter's faceplate features recessed mounting holes, to hide mounting screws and minimize reflections.



**Mechanical 2D Drawing:**



**Specifications:**

|                                   |                 |                |           |             |                            |           |                          |        |
|-----------------------------------|-----------------|----------------|-----------|-------------|----------------------------|-----------|--------------------------|--------|
| DC Resistance                     | $R_{evc}$       | $\Omega$       | 3.0       | 5.0%        | Energy Bandwidth Product   | EBP       | $(1/Q_{es}) \cdot f_s$   | 896    |
| Minimum Impedance                 | $Z_{min}$       | $\Omega$       | 3.7       | 7.5%        | Moving Mass                | $M_{ms}$  | g                        | 0.31   |
| Voice Coil Inductance             | $L_e$           | mH             | 0.02      |             | Suspension Compliance      | $C_{ms}$  | um/N                     | 64.5   |
| Resonant Frequency                | $f_s$           | Hz             | 1130      | 15.0%       | Effective Cone Diameter    | D         | cm                       | 2.8    |
| Mechanical Q Factor               | $Q_{ms}$        | -              | 2.5       |             | Effective Piston Area      | $S_D$     | cm <sup>2</sup>          | 6.2    |
| Electrical Q Factor               | $Q_{es}$        | -              | 1.26      |             | Equivalent Volume          | $V_{as}$  | L                        | 0.00   |
| Total Q Factor                    | $Q_{ts}$        | -              | 0.84      |             | Motor Force Factor         | BL        | T·m                      | 2.28   |
| Ratio $f_s / Q_{ts}$              | F               | $f_s / Q_{ts}$ | 1340      |             | Motor Efficiency Factor    | $\beta$   | $(T \cdot m^2) / \Omega$ | 1.73   |
| Half Space Sensitivity @ 2.83V    | $dB @ 2.83V/1m$ | dB             | 93.2      | $\pm 1.0^1$ | Voice Coil Former Material | $VC_{fm}$ | -                        | ASV    |
| Sensitivity @ 1W/1m               | $1W/1m$         | dB             | 87.8      | $\pm 1.0^1$ | Voice Coil Inner Diameter  | $VC_{id}$ | mm                       | 25.4   |
|                                   |                 |                |           |             | Gap Height                 | Gh        | mm                       | 3.0    |
| Rated Noise Power (IEC 2685 18.1) | P               | W              | 50        |             | Maximum Linear Excursion   | $X_{max}$ | mm                       | 0.50   |
| Test Spectrum Bandwidth           | 1.1kHz - 20kHz  |                | 12 dB/Oct |             | Ferrofluid Type            | FF        |                          | APG027 |
|                                   |                 |                |           |             | Transducer Size            | -         | inch                     | 1      |
|                                   |                 |                |           |             | Transducer Mass            | -         | kg                       | 0.5    |

1 - Piston Band Sensitivity Tolerance

**Frequency and Impedance Response:**

