

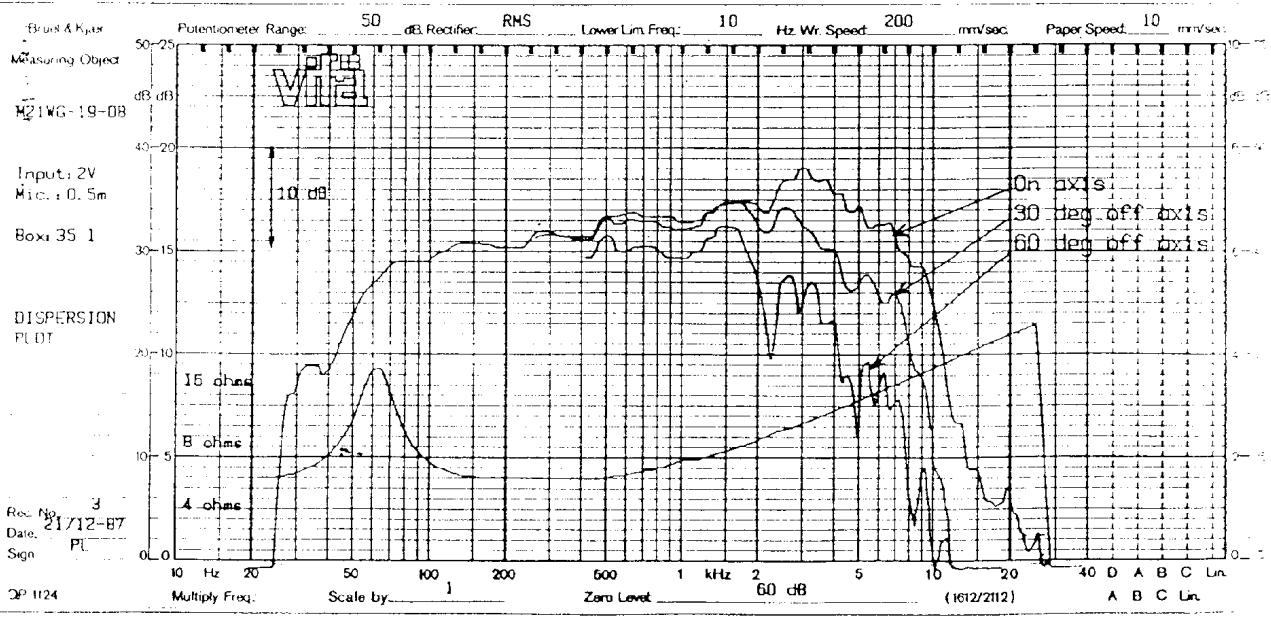
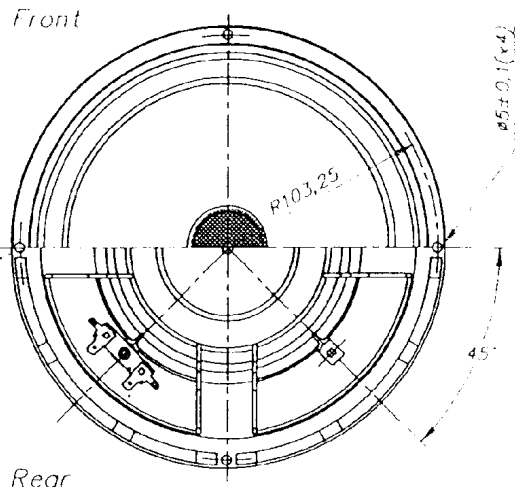
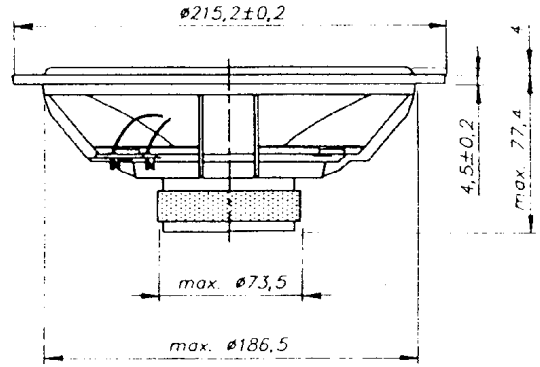
# 8" WOOFER

# M21WG-19-08

**SPECIAL FEATURES:**

- MAGNESIUM BASKET
- HIGH DAMPING RUBBER SURROUND
- SMOOTH FREQUENCY RESPONSE
- SUITED FOR 2- AND 3-WAY SYSTEMS
- BLACK COATED PAPER CONE
- VENTED THROUGH THE POLE PIECE

NOMINAL IMPEDANCE	8 Ω
NOMINAL POWER (IEC 268-5)	50 W
MUSIC POWER (DIN 45500)	100 W
FREQUENCY RANGE	30-4000 Hz
SENSITIVITY (1W, 1m)	90 dB
EFFECTIVE CONE AREA	239 cm <sup>2</sup>
VOICE COIL RESISTANCE	5,6 Ω
VOICE COIL INDUCTANCE	0,9 mH
OPERATING POWER	4 W
VOICE COIL DIAMETER	25 mm
VOICE COIL HEIGHT	12 mm
AIR GAP HEIGHT	6 mm
FREE AIR RESONANCE	30 Hz
MOVING MASS (incl. air)	16,5 g
FORCE FACTOR, B x l	5,2 Txm
MAGNET WEIGHT (8,5 oz)	240 g
Qms	2,5
Qes	0,64
Qts	0,51
Vas	138 ltr



# M21WG-19-08

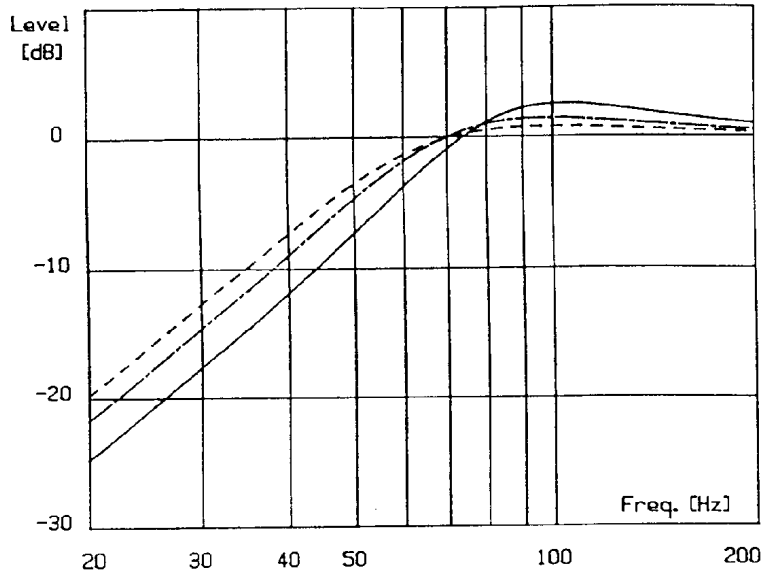
# Applications

## CLOSED BOX SYNTHESIS

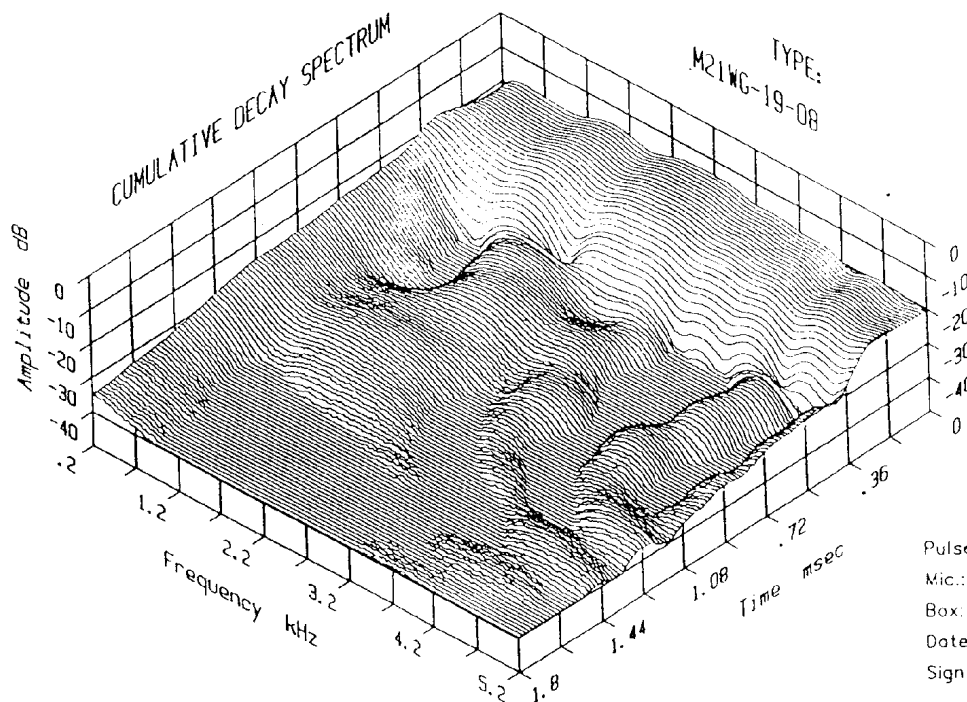
	Vb [Ltrs]	Fsb [Hz]	Qteb
1 ———	20	84	1,23
2 ———	30	71	1,04
3 - - -	40	63	,93

Vb : Box volume  
 Fsb : Res. freq. in box  
 Qteb: Total Q in box

Moderate box damping ( $R_m=1 \text{ Ns/m}$ )



The M21WG-19-08 is intended for a closed box of 20-40 ltrs.  
 The Q of the box can be lowered by adding damping material (glass wool or similar). This will also slightly shift the resonance frequency downwards.



Pulse: 25V/50µS  
 Mic.: 0,25 m  
 Box: 35 l  
 Date: 02.12.87  
 Sign.: PL