

Classic Woofer



Type Number: P21WO-39-08

Features:

The Classic line consists of all the highly regarded transducers that have been appraised and loved by so many customers over the years. The goal has been to assemble all the diamonds, developed over the years, speakers that fully live up to the heritage of the brand.

Driver Highlights: 8" woofer, magnesium chassis, polycone



Specs: *DISCONTINUED - ARCHIVED*

Electrical Data

Nominal impedance	Zn	8	ohm
Minimum impedance	Zmin	--	ohm
Maximum impedance	Zo	--	ohm
DC resistance	Re	5.5	ohm
Voice coil inductance	Le	1	mH

T-S Parameters

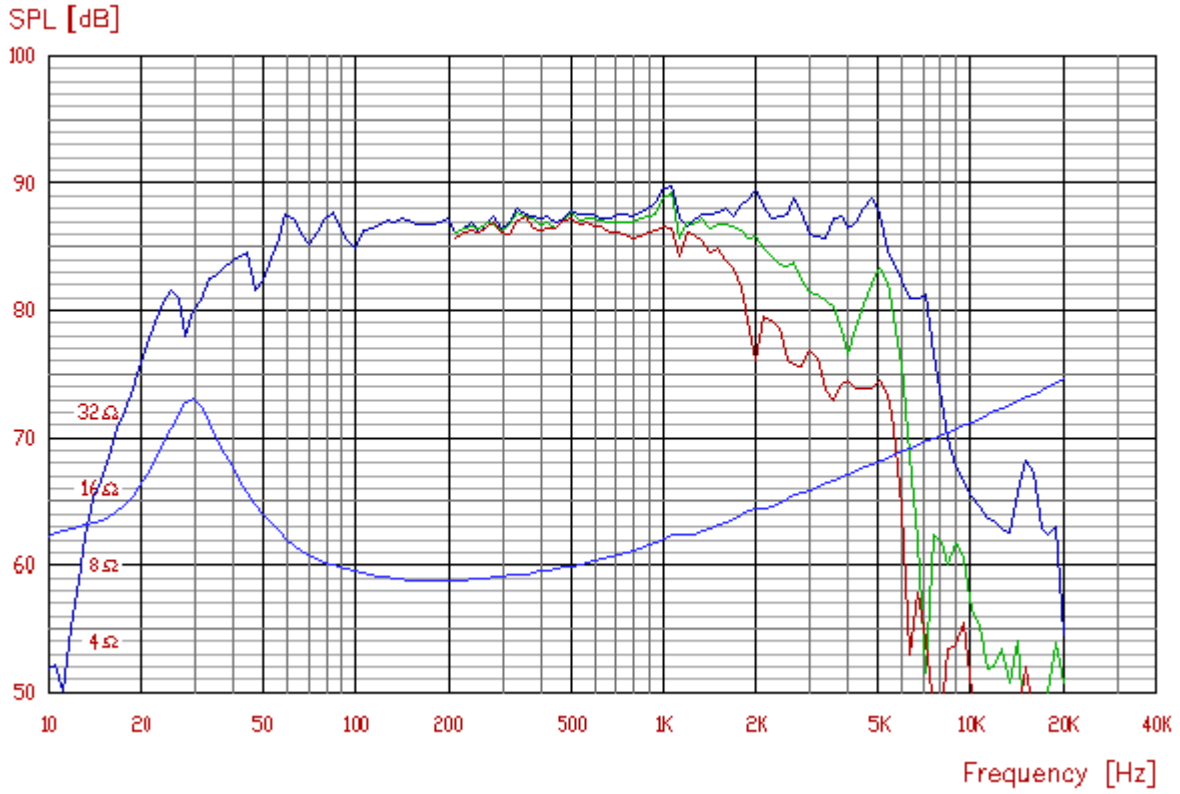
Resonance Frequency	fs	26	Hz
Mechanical Q factor	Qms	2.38	
Electrical Q factor	Qes	0.44	
Total Q factor	Qts	0.37	
Ratio fs/Qts	F	--	
Force factor	Bl	8.5	Tm
Mechanical resistance	Rms	--	Kg/s
Moving mass	Mms	32	g
Suspension compliance	Cms	--	mm/N
Effective cone diameter	D	--	cm
Effective piston area	Sd	235	cm ²
Equivalent volume	Vas	85	ltrs
Sensitivity		88	dB
Ratio BL/√(Re)		--	

Power handling

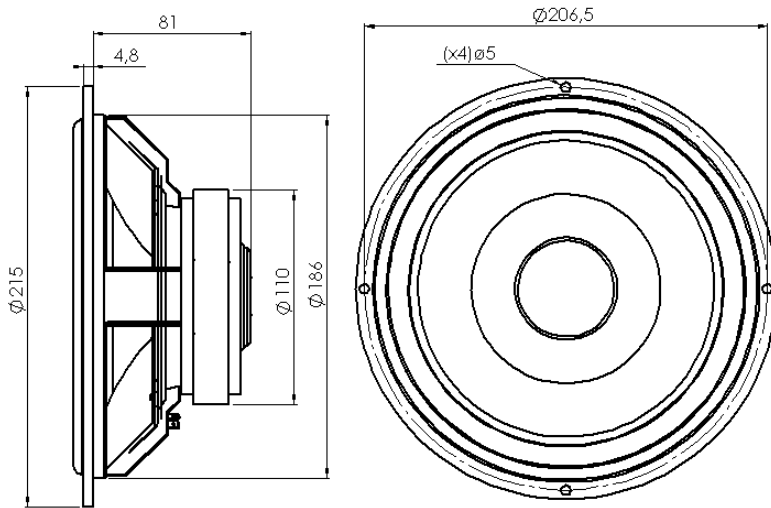
100h RMS noise test (IEC)	--	W
Long-term Max System Power (IEC)	--	W
Max linear SPL (rms) @ power	--	dB/W
Short Term Max power	--	W

Voice Coil and Magnet Parameters

Voice coil diameter	40	mm
Voice coil height	18	mm
Voice coil layers	--	
Height of the gap	6	mm
Linear excursion +/-	--	mm
Max mech. excursion +/-	--	mm
Flux density of gap	--	mWb
Total useful flux	--	mWb
Diameter of magnet	--	mm
Height of magnet	--	mm
Weight of magnet	0.698	Kg



Mechanical Dimensions:



P21WO-39-08