

2009 CATALOGUE

*“Blending the Sounds You Love
Into the Life You Live”*

studi**acoustics**
Inspired by Imagination

Imagine music on demand wherever and whenever you want it!

Since ancient times man has been motivated to listen to music. It not only brings us joy, but at times it also inspires us.

Some things never change. However, technology keeps challenging us as to how, when and where we enjoy one of mans most favoured past times.

The 2009 range of Studio Acoustics speaker systems will not only excite your senses as it has done for over a decade, but our new speaker innovations will challenge your concept of what musical entertainment is all about!



Content

- 4 Wireless Speakers
- 6 In Ceiling / In Wall Speakers
- 11 On Ceiling / On Wall Speakers
- 15 Marine / Wet Area
- 16 On Ceiling / Garden
- 18 Accessories
- 23 Furniture
- 27 Brackets



Wireless Speakers



Imagine Your Lifestyle Unwired...

The musical entertainment system for Indoors and Outdoors no matter what the weather, "Un-Plugged". That's the Studio Acoustics Wireless Range.

Portable, No cost setup, Water resistant, UV resistant, Powerful go anywhere sound, AND, they look superb no matter what your décor!

Wireless Floating Pool & Outdoor Speaker

- 0.9GHz (PLL) RF Technology
- Auto tuning
- Water proof for up to 30 minutes at a depth up to 1 metre
- 6 x AA batteries included
- Transmitter operated by supplied AC adaptor or 4xAA batteries(included)
- Operating distance from transmitter up to 50 metres

Transmission Mode : UHF stereo
 Carrier Frequency : 0.9GHz
 Operation Voltage : Transmitter: 4 x "AA" size Alkaline batteries (included)
 or DC 6V 300mA adaptor (included)
 Speaker: 6 x "AA" size Alkaline batteries (included)
 Frequency Response : 40Hz – 12kHz
 S/N Ratio : 65dB (typical)
 Operation Distance : Up to 50 metres (open area)
 Output Power : 3W (Max) @ 1.5% Distortion

SA92FWS



9 317114 873200 >



Contents:
 Wireless Speaker
 Transmitter
 RCA Lead
 6.5mm to 3.5mm Adaptor
 10 x AA batteries
 Owners manual



Wireless Classic Outdoor Speakers-White/Black

- 0.9GHz RF Technology
- Auto Tuning System on speakers
- Phase Lock Loop (PLL) transmission system on transmitter
- Water resistant
- Operating distance up to 50 metres (open area)
- No line of sight limitation
- Auto On/Off control on Transmitter
- Auto Shut-Off on Speakers
- Bass boost function
- Remote control unit
- Battery operation for Transmitter and Speakers (included)

Contents:
 RF transmitter
 RF speakers, 2 pcs.
 AC adaptor for transmitter
 AC adaptors for speaker, 2 pcs.
 Remote Control
 3.5mm Plug to 2 x RCA audio cable
 3.5mm to 6.5 mm Adaptor plug
 4 x "AA" size Alkaline batteries
 8 x "C" size Alkaline batteries
 2 x "AAA" size batteries
 Owners manual

Transmission Mode : UHF stereo

Carrier Frequency : 0.9GHz

Operation Voltage : Transmitter: DC 6V 300mA adaptor
 or 4 x "AA" size Alkaline batteries (included)

Speaker: DC 12V 750mA adaptor
 or 8 x "C" size Alkaline batteries per speaker (included)
 Remote Control Unit, 2 x "AAA" size batteries (included)

Frequency Response : 40Hz – 12kHz

S/N Ratio : 65dB (typical)

Channel Separation : 35dB (Typical)

Operation Distance : Up to 50 metres (open area)

Output Power : 2 x 5W (Max) @ 1.5% distortion

SA92CWSB



9 317114 900074 >



SA92CWSW



9 317114 900067 >



Wireless Digital Outdoor Speaker-White

- 2.4GHz Frequency Hopping Spread Spectrum (FHSS) digital transmission
- 32-Channel scan-tuning between transmitter and receiver
- Audio output power up to 20 Watts RMS
- SRS WOW® provides deep, rich bass and creates a 3D surround effect to provide a superior audio experience
- Weather-resistant speaker and remote control
- Mood light effect
- UV resistant
- Supports stereo audio (with optional additional speaker)
- Aux In jack
- Operating distance up to 50 metres in open areas
- Works through walls, floors
- Virtually interference-free stereo quality
- Powered by 6 D batteries (included), or by included AC adaptor

Transmission Mode : UHF Stereo

Carrier Frequency : 2.4GHz Digital

Operation Voltage : Transmitter, DC 6V 300mA

Speaker, DC 12V 1.5A or 6 x D Alkaline batteries (included)

Remote Control, 1 x CR2032 button cell (included)

Frequency Response : 30 Hz – 20 kHz

S/N Ratio : 65 dB

Operation Distance : Up to 50 metres (open area)

Speaker Audio Output Power : 20W (RMS) @ 0.5% Distortion



Contents:
 RF transmitter
 RF speaker
 Remote control
 AC adaptor for transmitter
 AC adaptor for speaker
 RCA to RCA cable
 3.5mm Jack to RCA cable
 6 x D Alkaline batteries
 Owners manual

SA24WS



9 317114 872883 >



* iPod not included

* SRS WOW, SRS and the (C) symbol are trademarks of SRS Labs, Inc.

SASS366



9 317114 895035

Single 6 1/2" (165mm) 80 Watt Stainless Steel In-Ceiling Dual/Stereo Speaker System



- Space Saving! 2 Speakers in 1!
- Power Handling: 80 Watts
- 6 1/2" (165mm) Dual Voice-Coil Polypropylene cone woofer with butyl rubber surround
- 2 x 1/2" (13mm) Neodymium swiveling balance dome tweeter for left and right channels
- Magnetically shielded
- Impedance: 8 Ohms
- Frequency Response: 50Hz – 20kHz
- Crossover Network: 12dB/Octave
- Sold as Single
- Minimum Depth: 105mm (4")
- Cutout Size: 193mm diameter
- Dimensions: 8 1/2" (216mm) diameter x 105mm depth



SASS360



9 317114 892058

6 1/2" (165mm) 2 Way 80 Watt Stainless Steel In-Ceiling Speaker System



- Power Handling: 80 Watts
- 6 1/2" (165mm) Polypropylene cone woofer with butyl rubber surround
- Magnetically shielded
- 1" (25mm) Soft dome tweeter on Pivot
- Impedance: 8 Ohms
- Frequency Response: 50Hz – 20kHz
- Sold in Pairs
- Cutout Size: 198mm diameter
- Minimum Depth: 105mm (4")
- Dimensions: 8 1/2" (216mm) diameter x 105mm depth



SASS380



9 317114 892041

8" (203mm) 2 Way 120 Watt Stainless Steel In-Ceiling Speaker System



- Power Handling: 120 Watts
- 8" (203mm) Polypropylene cone woofer with butyl rubber surround
- Magnetically shielded
- 1" (25mm) Soft dome tweeter on Pivot
- Impedance: 8 Ohms
- Frequency Response: 50Hz – 20kHz
- Sold in Pairs
- Cutout Size: 240mm diameter
- Minimum Depth: 118mm
- Dimensions: 10 1/2" (268mm) diameter x 118mm depth



DURABLE MOUNTING LUGS



HEAVY DUTY CROSS-OVER



PUSH TYPE SPRING TERMINALS



SA820



6½" (165mm) 2 Way 100 Watt In-Ceiling Speaker System



- Directional Speakers
- Heavy Duty Crossover
- Switchable Bass and Treble Selector
- 12dB/Octave Crossover Network
- Impedance: 8 Ohms
- Frequency Response: 75Hz - 20kHz
- Power Handling: 100 Watts (Max)
- Cut-out Size: 239mm diameter
- Minimum Depth: 160mm (6.3")



Directional Speakers



Heavy Duty Crossover



Switchable Bass and Treble Selector



SA365



Single 6½" (165mm) 80 Watt In-Ceiling Dual/Stereo Speaker System Pearl White (Paintable)



- Space Saving! 2 Speakers in 1!
- Power Handling: 80 Watts
- 6½" (165mm) Dual Voice-Coil Polypropylene cone woofer with butyl rubber surround
- 2 x ½" (13mm) Neodymium swiveling balance dome tweeter for left and right channels
- Impedance: 8 Ohms
- Frequency Response: 50Hz – 20kHz
- Crossover Network: 12dB/Octave
- Sold in Singles
- Minimum Depth: 100mm (4")
- Cutout Size: 193mm diameter
- Dimensions:
8½" (216mm) diameter x 3½" (85mm) depth



SA350A



5½" (133mm) 2 Way 70 Watt In-Ceiling Speaker System Pearl White (Paintable)

- Power Handling: 70 watts
- 5½" (133mm) Polypropylene cone woofer
- 1" (25mm) Soft dome tweeter on pivot
- Impedance: 8 Ohms
- Frequency Response: 50Hz – 20kHz
- Sold in Pairs
- Cutout Size: 7" (175mm) diameter
- Dimensions: 8" (205mm) diameter x 3¼" (82mm) depth



• Sold in Pairs

SA360A



9 317114 888174

6 1/2" (165mm) 2 Way 80 Watt In-Ceiling Speaker System Pearl White (Paintable)

- Power Handling: 80 Watts
- 6 1/2" (165mm) Polypropylene cone woofer with butyl rubber surround
- 1" (25mm) Soft dome tweeter on pivot
- Impedance: 8 Ohms
- Frequency Response: 50Hz – 20kHz
- Sold in Pairs
- Cutout Size: 193mm diameter
- Dimension: 8 1/2" (216mm) diameter x 3 1/2" (85mm) depth



• Sold in Pairs

SA380A



9 317114 888181

8" (203mm) 2 Way 120 Watt In-Ceiling Speaker System Pearl White (Paintable)

- Power Handling: 120 Watts
- 8" (203mm) Polypropylene cone woofer with butyl rubber surround
- 1" (25mm) Soft dome tweeter on pivot
- Impedance: 8 Ohms
- Frequency Response: 50Hz – 20kHz
- Sold in Pairs
- Cutout Size: 238mm diameter
- Dimensions: 10 1/2" (268mm) diameter x 4" (100mm) depth



• Sold in Pairs

CS360



9 317114 897657

6 1/2" (165mm) 2 Way 80 Watt In-Ceiling Contractor Speakers

- 6 Pairs per Carton
- Power Handling: 80 Watts
- 6 1/2" (165mm) Polypropylene cone woofer with butyl rubber surround
- 1" (25mm) Soft dome tweeter on pivot
- Impedance: 8 Ohms
- Frequency Response: 50Hz - 20kHz
- Cutout size: 195mm diameter
- Minimum Depth: 85mm
- Dimensions: 8 1/2" (216mm) dia x 3 1/2" (85mm) D



6 Pairs Economical

SA250A

9 317114 888198

5½" (133mm) 2 Way 70 Watt In-Wall Speaker System Pearl White (Paintable)

- Power Handling: 70 Watts
- 5½" (133mm) Polypropylene cone woofer with butyl rubber surround
- 1" (25mm) Soft dome tweeter on pivot
- Magnetically shielded
- Impedance: 8 Ohms
- Frequency Response: 50Hz – 20kHz
- Sold in Pairs
- Cutout Size: 9½" (244mm) x 6" (156mm)
- Dimensions: 10¾" (270mm) W x 7¼" (182mm) H x 3¼" (82mm) D

**SA260A**

9 317114 888204

6½" (165mm) 2 Way 80 Watt In-Wall Speaker System Pearl White (Paintable)

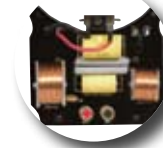
- Power Handling: 80 Watts
- 6½" (165mm) Polypropylene cone woofer with butyl rubber surround
- 1" (25mm) Soft dome tweeter on pivot
- Magnetically shielded
- Impedance: 8 Ohms
- Frequency Response: 50Hz – 20kHz
- Sold in Pairs
- Cutout Size: 10¾" (272mm) x 7½" (188mm)
- Dimensions: 11¾" (298mm) W x 8½" (214mm) H x 4" (105mm) D

**SA260SL**

9 317114 896179

6½" (165mm) SLIMLINE 2 Way 80 Watt In-Wall Speaker System Pearl White (Paintable) Premium Model

- 3" (75mm) Depth for shallow mounting in narrow cavities
- Power Handling: 80 Watts
- 6½" (165mm) Banana Fibre Paper cone woofer with butyl rubber surround
- 1" (25mm) Neodymium tweeter on pivot
- Magnetically Shielded
- Impedance: 8 Ohms
- Frequency Response: 50Hz – 20kHz
- Sold in Pairs
- Cutout Size: 10¾" (272mm) x 7½" (188mm)
- Dimensions: 11¾" (298mm) W x 8½" (214mm) H x 3" (75mm) D

**SA280A**

9 317114 888211

8" (203mm) 2 Way 120 Watt In-Wall Speaker System Pearl White (Paintable)

- Power Handling: 120 Watts
- 8" (203mm) Polypropylene cone woofer with butyl rubber surround
- 1" (25mm) Soft dome tweeter on pivot
- Magnetically shielded
- Impedance: 8 Ohms
- Frequency Response: 50Hz – 20kHz
- Sold in Pairs
- Cutout Size: 12¾" (323mm) x 9" (227mm)
- Dimensions: 13¾" (350mm) W x 10" (253mm) H x 4" (102mm) D



SAC300C



4" (101mm) Centre Channel, 2 Way 60 Watt In-Wall Speaker System

Pearl White (Paintable)



DURABLE MOUNTING LUGS



HEAVY DUTY CROSS-OVER



PUSH TYPE SPRING TERMINALS

- Power Handling: 60 Watts
- 2 x 4" (101mm) Polypropylene cone woofer with butyl rubber surround
- 3/4" (20mm) Soft dome tweeter on pivot
- Magnetically shielded
- Crossover Network: Built in 12dB/Octave with heavy-duty binding post terminals
- Impedance: 8 Ohms
- Frequency Response: 90Hz – 20kHz
- Sold in Singles
- Cutout size: 13.5" (345mm) x 5.5" (130mm)
- Dimensions: 3.3" (83mm) D x 6.3" (160mm) H x 14.5" (370mm) W



SA400CA



6 1/2" (165mm) Centre Channel, 2-Way 70 Watt In-Wall Speaker System

Pearl White (Paintable)

- Power Handling: 70 Watts
- 2 x 6 1/2" (165mm) Polypropylene cone woofers with butyl rubber surrounds
- 1" (25mm) Soft dome tweeter on pivot
- Magnetically shielded
- Impedance: 8 Ohms
- Frequency Response: 50Hz – 20kHz
- Sold in Singles
- Cutout size: 19" (473mm) x 7 1/2" (189mm)
- Dimensions: 3 1/4" (80mm) D x 8 1/2" (217mm) H x 20 1/4" (511mm) W



SA150B



2 1/3" (64mm) In-Wall/In-Ceiling Speaker System

- Magnet Size: 0.13kg (4.2 Oz)
- Impedance: 6 Ohms
- Frequency Response: 80Hz-20kHz
- Sensitivity: 90dB (1W@1M)
- Power Handling: 90 Watts
- Cutout Diameter: 130mm (5")
- Minimum Depth: 52mm
- Dimensions: Cup = 165mm (6.5") diameter x 52mm (2") depth
Speaker = 85mm (3.35") H x 85mm (3.35") W x 91mm (3.6") D



SA150W



5" (127mm) 2-Way 75 Watt Indoor/Outdoor Speaker System - Pearl white (paintable)

- ABS enclosure with heavy duty binding post terminals
- Power Handling: 75 Watts
- 5" (127mm) Polypropylene cone with butyl rubber surround
- 1/2" (13mm) Black Mylar diaphragm tweeter
- Crossover Network: 12 dB/Octave Integrated crossover network
- Impedance: 8 Ohms
- Frequency Response: 60Hz – 20kHz
- Sold in Pairs
- Dimensions: 9 1/4" (235mm) H x 6.8" (173mm) W x 2.35" (60mm) D



VERSATILE SWIVEL MOUNTING BRACKET - GREAT FOR INDOORS



SAFETY CABLE



SAC860



9 317114 896155

5" (127mm) 75 Watt On-Wall On-Desk Indoor/Outdoor Speaker System - Pearl White (Paintable)

- ABS Ported enclosure with heavy duty binding post terminals
- Power Handling: 75 Watts
- 5" (127mm) Polypropylene cone with butyl rubber surround
- 1/2" (13mm) Black Mylar diaphragm tweeter
- Crossover Network: 6dB/Octave Integrated crossover network
- Impedance: 8 Ohms
- Frequency Response: 60Hz – 20kHz
- Sold in Singles
- Dimensions: 12" (305mm) H x 9" (230mm) W x 2.9" (75mm) D



DESKTOP FREE STANDING BRACKET



PICTURE FRAME MOUNTING



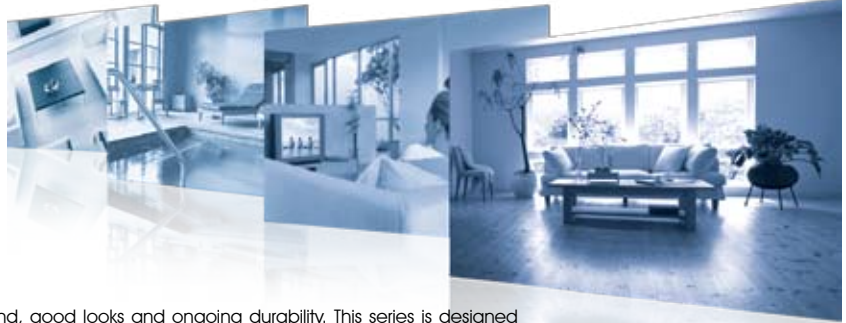
IDEAL FOR SOLID WALL MOUNTING



SAO300W



9 317114 896162



Here's the irresistible formula of quality sound, good looks and ongoing durability. This series is designed especially for outdoor or transport applications such as boats, caravans, vans, etc. Even small rooms in flats, or relocatable homes and so on and all are weather proof! They combine excellent application flexibility with a ruggedness to endure the toughest of conditions.

Outdoor sound is a central part of our lifestyle nowadays, not only in the public domain, but the home as well. This series is designed to provide surround sound in areas such as the pool, spa, BBQ, courtyard and garden. Excellent design ensures quality sound no matter what the environment. Importantly, robust construction will handle all weather as the cones are specially designed to be water resistant.

3" (76mm) 2 Way 60 Watt Indoor/Outdoor Universal Speakers – White and Black

SA300W



9 317114 894977

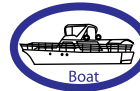


- Power Handling: 60 Watts
- High performance 3" dual cone woofer with polypropylene coated cone
- CRS Powder coated basket
- 3/4" Voice coil with Nomex former material
- 2.8oz Magnet ferrite
- Impedance: 8 Ohms
- Frequency Response: 100Hz - 20kHz
- Sensitivity: 90dB @ 1W/1M
- ABS Front and back cover and bracket
- Rust-proof powder coated grille
- Supplied with 1M speaker wire connected to speaker. Sold in Pairs

SA300B



9 317114 895455



4" (100mm) 2 Way Selectable Ohm 100 Watt Indoor/Outdoor Speakers – Black and White

SA500UB



- Power Handling: 100 Watts
- Dual Impedance: 4 or 8 Ohms
- 4" (100mm) Polypropylene cone woofer with butyl rubber surround
- 1/2" (13mm) Balance dome tweeter
- Frequency Response: 100Hz – 20kHz
- Sold in Pairs
- Dimensions: 8" (199mm) H x 5 1/4" (135mm) W x 5" (127mm) D

SA500UW



SELECTABLE
4 OR 8 OHM



5 1/4" (133mm) 2 Way 120 Watt Indoor/Outdoor Speakers – Black and White

SA850BA



- Power Handling: 120 Watts
- Impedance: 8 Ohms
- 5 1/4" (133mm) Polypropylene cone woofer with butyl rubber surround
- 1/2" (13mm) Balance dome tweeter
- Frequency Response: 100Hz – 20kHz
- Sold in Pairs
- Dimension: 10" (250mm) H x 9 1/4" (235mm) W x 5" (127mm) D

SA850WA



BRACKETS FOR
MOUNTING



Ideal for parties, outdoor entertaining, pool areas, rumpus rooms or as satellites where larger spaces need to be covered. Angle-mounting brackets allow the speakers to be aimed at their precise target area.

6" (152mm) 2 Way 150 Watt Indoor/Outdoor Speakers – Black and White

SA970B



9 317114 884336

- Power Handling: 150 Watts
- Impedance: 6 Ohms
- 6" (152mm) Woofer
- 1½" (38mm) Balance dome tweeter
- Frequency Response: 75Hz – 20kHz
- Sold in Pairs
- Dimensions: 11" (280mm) H x 7½" (190mm) W x 8" (200mm) D

SA970W



9 317114 884336



8" (200mm) 2 Way 200 Watt Indoor/Outdoor Speakers – Black and White

SA980B



9 317114 889836

- Power Handling: 200 Watts
- Impedance: 6 Ohm
- 8" (200mm) Polypropylene cone woofer with butyl rubber surround
- 1½" (38mm) Balance dome tweeter
- Frequency Response: 75Hz – 20kHz
- Sold in Pairs
- Dimensions: 12½" (320mm) H x 9" (230mm) W x 7.15" (182mm) D

SA980W



9 317114 889843



5" (122mm) 2 Way 60 Watt Marine Speakers - White

- Impedance: 4 Ohms
- Frequency Response: 120Hz - 20kHz
- SPL: 88 dB, Output: 60 Watts
- 50mm Mounting depth
- 1" Voice coil
- 6 Oz Magnet
- 1" Tweeter



SA502M



9 317114 896902

6" (152mm) 2 Way 80 Watt Marine Speakers - White

- Impedance: 4 Ohms
- Frequency Response: 80Hz -20kHz
- SPL: 88 dB, Output: 80 Watts
- 65mm Mounting depth
- 1" Voice Coil
- 8 Oz Magnet
- 1" Tweeter



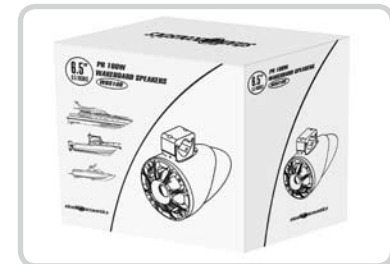
SA602M



9 317114 896919

100 Watt Wakeboard Speakers

- Waterproof Mica PP cone with Santoprene rubber surround
- High temperature 25mm voice coil former
- Chrome plated plastic housing
- 1" Titanium dome tweeter
- Weather resistant heavy duty molded ASA enclosure
- Adjustable cast-aluminum mounting bracket
- Power Handling 100W (Max)
- Impedance: 4 ohm
- Efficiency: 90dB
- Frequency Response: 60Hz - 20kHz
- Dimensions: 185mm W x 340mm D



WBS100



9 317114 873507

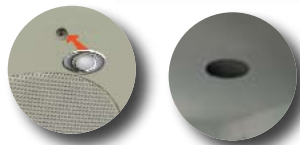
6" (152mm) 2 Way 80 Watt On-Ceiling Single Speaker/Centre Channel Pearl White (Paintable)

- Power Handling: 80 Watts
- 6" (152mm) Paper cone woofer with butyl rubber surround
- 1/2" (13mm) Soft dome Neodymium tweeter
- Crossover Network: 6dB/Octave integrated crossover network
- Impedance: 8 Ohms
- Frequency Response: 70Hz – 20kHz
- Sold in Singles
- Dimensions: 6" (150mm) H x 13" (330mm) D x 9" (230mm) W

SAO100W



9 317114 895653

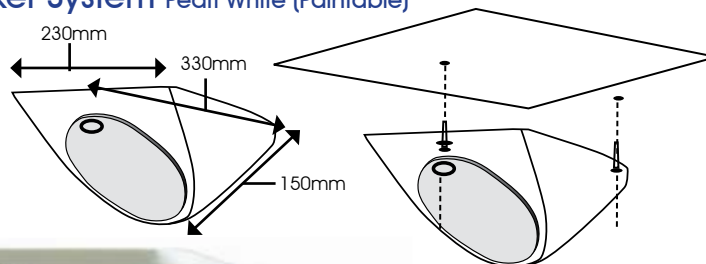


PLASTIC PLUGS TO COVER NO CUTTING OF PLASTER
UNSIGHTLY HARDWARE REQUIRED



6" (152mm) 2 Way 80 Watt On-Ceiling Speaker System Pearl White (Paintable)

- Power Handling: 80 Watts
- 6" (152mm) Paper cone woofer with butyl rubber surround
- 1/2" (13mm) Soft dome Neodymium tweeter
- Crossover Network: 6dB/Octave integrated crossover network
- Impedance: 8 Ohms
- Frequency Response: 70Hz – 20kHz
- Sold in pairs
- Dimensions: 6" (150mm) H x 13" (330mm) D x 9" (230mm) W



SAO200W



9 317114 895660



SA6200



9 317114 896285

6 1/2" (165mm) 2 Way 100V In-Wall/In-Ceiling Speaker

- 6 1/2", 2 Way 100 Volt Inline speakers for either 8 Ohm (remove transformer) or 100 Volt operation
- 100V Transformer Taps: 3 & 6 Watts
- 6 1/2" (165mm) Mica cone woofer with rubber surround
- 3/4" (19mm) Balance dome tweeter
- Frequency Response: 65Hz-20kHz
- Cutout Diameter: 162mm Diameter
- Sold in Singles



SA8200



9 317114 896292

8" (200mm) 2 Way 100V In-Wall/In-Ceiling Speaker

- 8", 2 Way, 100 Volt Inline speakers for either 8 Ohm (remove transformer) or 100 Volt operation
- 100V transformer taps: 5 & 10 Watts
- 8" (203mm) Mica cone woofer with rubber surround
- 3/4" (19mm) Balance dome tweeter
- Frequency Response: 65Hz-20kHz
- Cutout diameter: 205mm Diameter
- Sold in Singles



EQUIPPED WITH 100V LINE TRANSFORMER



**6 1/2" (165mm) Two Way Stone Speaker
Fully Weather-Proof Construction**

- Power Handling: 80 watts
- Impedance: 8 Ohms
- Frequency Response: 50Hz- 21kHz
- Sold in Singles
- Dimensions: 350mm W x 250mm D x 270mm H

SAR86S



9 317114 895707

- Sandstone Red



SAR86G



9 317114 895691

- Grey



**6 1/2" (165mm) 2 Way 100 Watt
Hanging Planter**

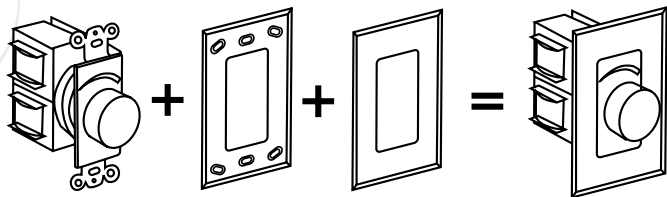
- Power Handling: 100 Watts
- Approximate size: 300mm H x 330mm D
- Frequency Response: 75Hz – 20kHz
- Plant not included
- Sold in Singles

SAP960



9 317114 884312





All wall mounted accessories on pages 22 to 25 include a 3 pc. Australian standard wall plate that hides unsightly mounting screws (Does not apply to SAWP1270)

SAIR1270



Slide Type In-Wall Volume Control (Attenuator)

- Comes with Infrared receiver enabling back to source remote control when connected to SAIRPT
- Impedance matching to run up to 8 speakers at 8 Ohms or 16 speakers at 4 Ohms
- Includes Australian standard wall plate



SAWP1270



Weather Proof Outdoor Volume control (Attenuator)

- 100 Watts rotary volume control
- Selectable impedance settings
- Enclosed in weather proof housing
- Ideal for outdoor use in patios, pergolas, etc.



SA1100VC



Resistor Type Volume Control (Attenuator)

- Light weight, compact resistor type volume control
- Includes Australian standard wall plate
- 100 Watts



SA1200VC



9 317114 896100

Transformer Type Volume control

(Attenuator)

- 200 Watts rotary volume control
- Heavy duty 12 step transformer type
- Includes Australian standard wall plate



SA1F



9 317114 878571

Wall Plate Single F Connector

- Single F connector socket
- Includes Australian standard wall plate



SA1270VC



9 317114 878595

Transformer Type Volume Control (Attenuator)

- Impedance matching to run up to 16 pairs of speakers at 8 Ohms or 32 pairs of speakers at 4 Ohms
- 200 Watts rotary volume control
- Heavy duty 12 step transformer type
- Includes Australian standard wall plate



SA1F2R



9 317114 878519

Wall Plate F Connector & Twin RCA Sockets

- Dual RCA Socket With F Connector
- Includes Australian standard wall plate



SA1R



Wall Plate RCA Socket

- Single RCA Socket
- Includes Australian standard wall plate



SA1F3R



Wall Plate F Connector & Triple RCA Sockets

- Triple RCA Socket With F Connector
- Includes Australian standard wall plate



SA2R



Wall Plate Twin RCA Sockets

- Double RCA Socket
- Includes Australian standard wall plate



SA3R



Wall Plate Triple RCA Sockets

- Triple RCA Socket
- Includes Australian standard wall plate



SA2BJ



Wall Plate Twin Banana Sockets

- 2 x Banana Sockets
- Includes Australian standard wall plate

SA4BJ



Wall Plate Quad Banana Sockets

- 4 x Banana Sockets
- Includes Australian standard wall plate

SA2BT



Wall Plate Twin Speaker Terminals

- 2 x Terminal/Banana Socket With Wall Plate

SA1HDMI



Wall Plate HDMI Female Socket

- Single Female to Female HDMI socket
- No soldering required
- Includes Australian standard wall plate

SA1T1D



RJ11/RJ45 Insert Wall Plate

- Australian Standard Wall Plate
- Telephone Cable (RJ11) socket
- Data Cable (RJ45) socket
- Supplied with mounting screws

SA1T1D1F



RJ11/RJ45/F Connector Wall Plate

- Australian Standard Wall Plate
- Telephone Cable (RJ11) socket
- Data Cable (RJ45) socket
- F Connector socket
- Supplied with mounting screws

4 Zone Multi Room Speaker Controller/Selector

- Controls up to 4 Zones (2 Speakers per zone) with independently controlled volume
- Independently selects pairs of speakers in any one of 4 zones whilst matching impedance to the selected amplifier to protect its outputs
- Low power loss with minimal heat loss
- High power handling capacity 100W RMS per channel (200W per zone) music power (600W Max Per Zone)
- Each zone can select between two amplifier sources independently
- Independent shut off switch for each zone
- Compatible with 4 ohms or 8 ohms speaker systems (Selectable)
- Removable connectors for easy wiring & installation
- 19 inch rack mounting or desk top
- Recessed label areas for room/zone names

SA4100



9 317114 872531 >



Front



Rear





Furniture



SVR448BB



9 317114 897596

4 Tier Black Glass A/V Stand with Plasma/LCD Bracket

- 4 Tier Black Glass Audio/Video Rack
- Incorporates Plasma/LCD bracket which holds 37" - 60" screens to maximum weight 60 kgs
- CMS (Cable Management System) to hide unsightly cables
- Black Aluminium alloy columns support durable black tempered glass
- Dimensions: 137.16cm (L) x 45.72cm (W) X 127cm (H)





Audio/Video Component Racks

24" (610mm) Width

- 5 Tier Glass Audio/Video Component Rack
- Incorporates CMS (Cable Management System) to hide unsightly cables
- Holds up to 80kgs
- Aluminium alloy columns
- Constructed from durable tempered glass
- Angled rear corners, great for placement in room corners
- Available in 2 colours - Black, Transparent
- Dimensions: 610mm W x 559mm D x 1118mm H

SAR544BB



SAR544



SVR332BB



Glass Television Racks Small, 32" (813mm) Width

- 3 Tier Glass Audio/Video Rack
- Incorporates CMS (Cable Management System) to hide unsightly cables
- Holds up to 100 kgs
- Aluminium alloy columns
- Constructed from durable tempered glass
- Angled rear corners, great for placement in room corners
- Available in 2 colours - Black, Transparent
- Dimensions: 813mm W x 457mm D x 737mm H

SVR332



SVR348BB



Glass Television Racks Medium, 48" (1219mm) Width

- 3 Tier glass Audio/Video Rack
- Incorporates CMS (Cable Management System) to hide unsightly cables
- Holds up to 100 kgs. Aluminium alloy columns, constructed from durable tempered glass
- Angled rear corners, great for placement in room corners
- Available in 2 colours - Black, Transparent
- Dimensions: 1219mm W x 457mm D x 533mm H

SVR348



SVR360BB



Glass Television Racks Large, 60" (1524mm) Width

- 3 Tier Glass Audio/Video Rack
- Incorporates CMS (Cable Management System) to hide unsightly cables
- Holds up to 120 kgs
- Aluminium alloy columns
- Constructed from durable tempered glass
- Angled rear corners, great for placement in room corners
- Available in 2 colours - Black, Transparent
- Dimensions: 1524mm W x 508mm D x 533mm

SVR360



TV Turntable - Clear Glass

- Allows you to turn your TV 360° for variable viewing angles
- Set on smooth, roller bearing track
- Made with durable tempered glass
- Sold in singles

SW24



9 317114 895578

310mm



610mm

SS26

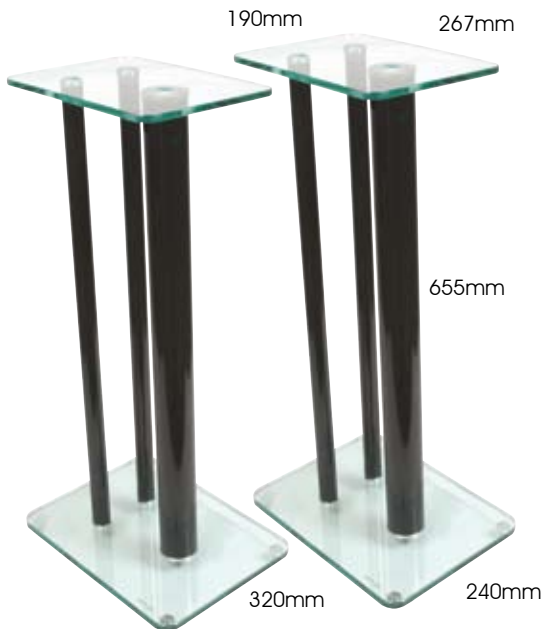


9 317114 895318

Speaker Stands

Elegant Clear Glass

- Durable tempered glass tops and bases, ideal for large speakers
- Chrome feet
- Sold in pairs



190mm

267mm

655mm

320mm

240mm

THREE DIFFERENT MOUNTING OPTIONS



Heavy Duty Metal Universal Speaker Stands

Grey and Silver

- Sturdy cast iron base
- Multiple screw-on sections allowing heights of 18, 24, 36 and 42 inches to be attained (457mm, 610mm, 914mm & 1067mm)
- Sold in Pairs



SA36G



9 317114 878069

SA36S



9 317114 879417

SA46S



9 317114 889775

Compact Light Weight Universal Satellite Speaker Stands Silver

- Slim line stands designed to secure your mini home theatre satellite speakers and hold them at their optimum listening position
- Adjustable from 33½" (85cm) to 53" (135cm) height
- Sold in Pairs



Universal Satellite Speaker Wall Bracket

- Black and Silver

- Multiple satellite speaker mounting options
- Supplied with a wide range of accessories allowing a variety of configurations
- Many different speakers or other wall-mountable products can be fitted
- Weight Bearing: Up to 5kgs
- Sold in pairs

SA26BL



9 317114 880581



SA26SV



9 317114 880598



Heavy Duty Plastic Ball Joint Wall Brackets

- Black and White

- Swivel ball multi-angle adjustable
- Weight Bearing: Up to 10kgs
- Sold in pairs

SA30BL



9 317114 895943



SA30W



9 317114 895950



Heavy Duty Metal - Compact Indoor/Outdoor Universal Speaker Brackets

- Black and White

- Perfect for indoor/outdoor use
- Swivel ball multi-angle adjustable
- Supplied with safety cable
- Weight Bearing: Up to 15kgs
- Sold in pairs

SA32BL



9 317114 895967



SA32W



9 317114 895974



Compact Light Weight Plastic Universal Pan/Tilt Speaker Brackets

- Black

- Pan/Tilt multi-angle adjustable
- Weight Bearing: Up to 8kgs
- Sold in pairs

SA28BL



9 317114 895936



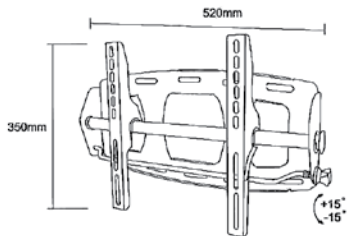
Heavy Duty Plasma/LCD Mounting Bracket for Small Screens - 23" to 37"

- Capable of supporting televisions and monitors up to 75kgs/165lbs
- Suitable for screen sizes from 23-37 inches/58-94cm
- Easily adjustable side wheel allows you to tilt the screen from 0-15 degrees downwards and upwards
- Can be padlocked for security when used in public places
- Durable steel construction
- Supplied with mounting hardware
- Bubble level included

SABLP6



9 317114 895844



TV 23 → 37"
 58 → 94cm
 LED 75kg/165lbs



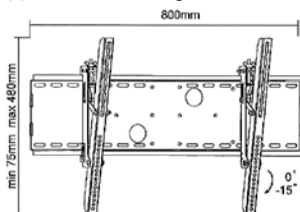
Heavy Duty Plasma/LCD Mounting Bracket - 30" to 63"

- Easily adjustable butterfly thumb nuts allow you to tilt the screen from 0-15 degrees downwards
- Capable of supporting televisions and monitors up to 75kgs/165lbs
- Suitable for screen sizes from 30-63 inches/76-170cm
- Durable steel construction and supplied with mounting hardware

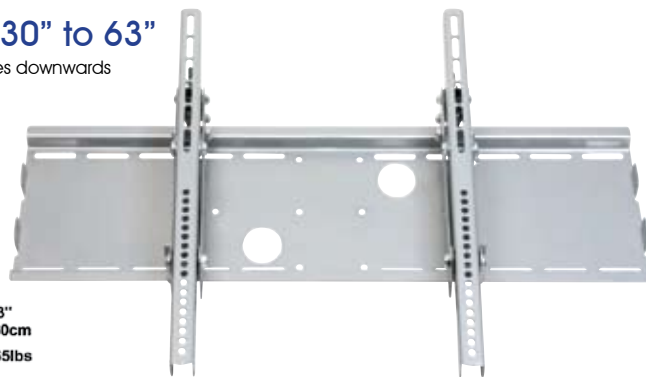
SABLP14



9 317114 895981



TV 30 → 63"
 76 → 160cm
 LED 75kg/165lbs



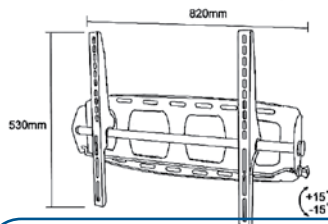
Heavy Duty Plasma/LCD Mounting Bracket - 30" to 63"

- Capable of supporting televisions and monitors up to 75kgs/165lbs
- Suitable for screen sizes from 30-63 inches/76-170cm
- Easily adjustable side wheel allows you to tilt the screen from 0-15 degrees downwards and upwards
- Can be padlocked for security when used in public places
- Durable steel construction and supplied with mounting hardware
- Bubble level included

SABLP5



9 317114 895837



TV 30 → 63"
 76 → 160cm
 LED 75kg/165lbs



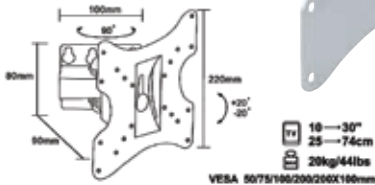
For Mounting LCD and Plasma Televisions or Monitors - 10" to 30"

- Capable of supporting televisions weighing up to 20kgs/44lbs
- Best suited for 10-30"/25-74cm sized screens
- Variable VESA mounting at 50/75/100/200mm
- Screen can be tilted 20 degrees up or down and 90 degrees from left to right
- Supplied with mounting hardware

SALCD401



9 317114 895882



SALCD101



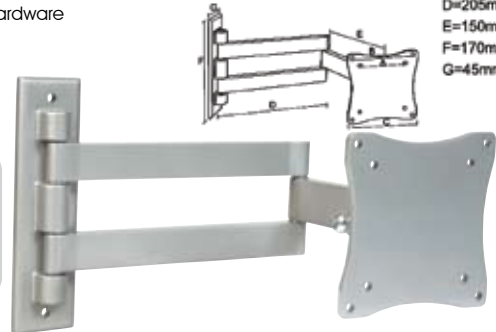
9 317114 895868

Here's how to give the effect that the plasma or LCD TV is "floating" off the wall. These quality heavy-duty brackets can handle any size monitor. Discreet and long-lasting, they produce a very neat, stunning result, with the ultra-modern look. Can be used for mounting TVs or other items. All conform to VESA mounting measurements.

Suitable for LCD and Plasma Televisions or Monitors

- Capable of supporting televisions weighing up to 15kgs/33lbs
- Quality Aluminium construction
- Variable VESA mounting 75-100mm
- With swing out arm extending to 355mm/14"
- Can be positioned up to 90 degrees left or right of centre mount
- Supplied with mounting hardware

- A=75mm(3")
- B=100mm(4")
- C=114mm(4.5")
- D=205mm(8")
- E=150mm(5.9")
- F=170mm(6.7")
- G=45mm(1.8")



For Mounting LCD and Plasma Televisions or Monitors

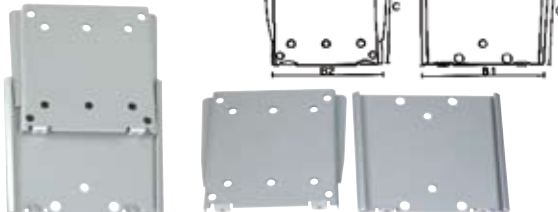
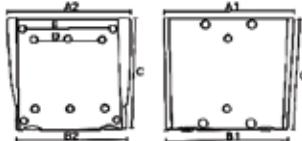
- Capable of supporting televisions weighing up to 30kgs/66lbs
- Variable VESA mounting 75-100mm
- Fixed position and solid steel construction
- Supplied with mounting hardware

SALCD201



9 317114 895875

- A1=140mm(5.5")
- A2=110mm(4.3")
- B1=130mm(5.1")
- B2=116mm(4.5")
- C=120mm(4.7")
- D=75mm(3")



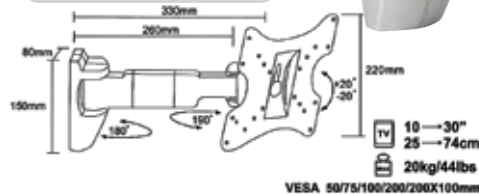
For Mounting LCD and Plasma Televisions or Monitors - 10" to 30"

- Capable of supporting televisions weighing up to 20kgs/44lbs
- Best suited for 10-30"/25-74cm screen sizes
- Variable VESA mounting at 50/75/100/200mm
- With swing out arm extending 330mm/14" adjustable 180 degrees to left or right
- Screen can be tilted 20 degrees up or down and 90 degrees from left to right
- With cable management system (Smart clip on covers hide connecting cables)
- Supplied with mounting hardware

SALCD402



9 317114 895899

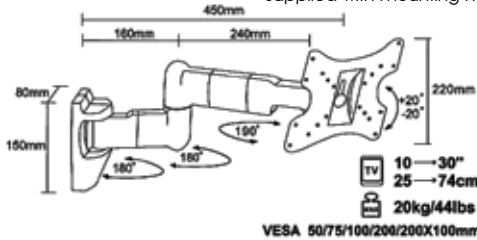


SALCD403



For Mounting LCD and Plasma Televisions or Monitors - 10" to 30"

- Capable of supporting televisions weighing up to 20kgs/44lbs
- Best suited for 10-30"/25-74cm screen sizes
- With swing out arm extending 450mm/18" adjustable to 180 degrees left or right
- With cable management system (Smart clip on covers hide connecting cables)
- Screen can be tilted 20 degrees up or down and 90 degrees from left to right
- Variable VESA mounting at 50/75/100/200 mm
- Supplied with mounting hardware

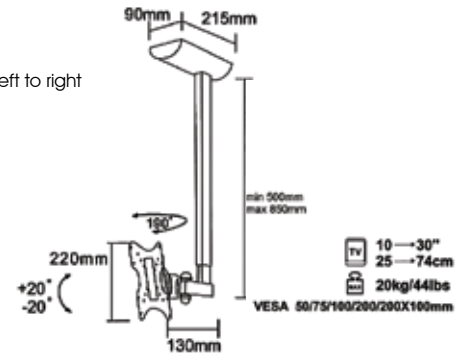


SALCD404



Ceiling Mount for LCD and Plasma Televisions or Monitors - 10" to 30"

- Capable of supporting televisions weighing up to 20kgs/44lbs
- Best suited for 10-30"/25-74cm screen sizes
- Adjustable from 500mm-850mm/20"-33" from the ceiling
- Screen can be tilted 20 degrees up or down and 90 degrees from left to right
- Fitted with variable VESA mounting at 50/75/100/200mm
- Supplied with mounting hardware

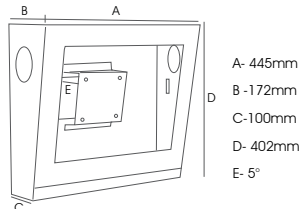


SALCDB1



17" LCD Wall Box

- Suitable for installation in public places such as waiting rooms, stores, etc
- Does not allow the public to alter the controls, etc.
- VESA size 100mm, supplied with mounting hardware
- Suitable for screen size 17in/43cm





studio**acoustics**
Inspired by Imagination



DISTRIBUTED BY

WES Australiasia Pty Ltd

138 Liverpool Road,

Ashfield, NSW, 2131

Australia

Ph: +61 2 9797 9866

Fax: +61 2 9716 6015

Email: sales@wes.net.au

Web: www.wes.net.au

Price List: Section 06

