

LBC 3484/00 Horn Loudspeaker

www.boschsecurity.com



BOSCH
Invented for life



- ▶ High efficiency driver
- ▶ Excellent speech reproduction
- ▶ Provision for inside mounting of the optional line/loudspeaker supervision board
- ▶ Water-and dust protected to IP 65
- ▶ BS 5839-8 and EN 60849 compliant

Bosch high-efficiency horn loudspeakers provide excellent speech reproduction and sound distribution for a wide scope of outdoor applications. They are ideal for sports grounds, parks, exhibitions, factories and swimming pools.

The LBC 3484/00 is a circular 50 W horn loudspeaker, measuring 490 mm (19.6 in) in diameter. They are made from aluminum. The edges of the horns are covered with a PVC profile for protection against impact damage. They are light grey (RAL 7035), and are water and dust protected.

Voice alarm loudspeaker

The LBC 3484/00 is designed for use in voice alarm systems and is compliant with emergency standards. The Horn loudspeaker has built-in protection to ensure that, in the event of a fire, damage to the loudspeaker does not result in failure of the circuit to which it is connected. In this way, system integrity is maintained; ensuring loudspeakers in other areas can still be used to inform people of the situation. The Horn loudspeaker has a ceramic terminal block, thermal fuse and heat resistant, high-temperature wiring. They have provision for inside mounting the optional line/loudspeaker supervision boards.

Functions

The rear cover on the horn is made from self-extinguishing ABS (acc. to class UL 94 V0). The connection cable is fed out through a cable gland (PG 13.5) in rear cover. For loop through connection, the rear cover is fitted with a second hole (covered as standard supplied).

These integrated horns are also available as separate horn and driver, allowing installing any combination of horn and driver. See order information for the type numbers.

Certifications and approvals

All Bosch loudspeakers are designed to withstand operating at their rated power for 100 hours in accordance with IEC 268-5 Power Handling Capacity (PHC) standards. Bosch has also developed the Simulated Acoustical Feedback Exposure (SAFE) test to demonstrate that they can withstand two times their rated power for short durations. This ensures extra reliability under extreme conditions, leading to higher customer satisfaction, longer operation life, and much less chance of failure or performance deterioration.

| | |
|---------------------------|--|
| Safety | acc. to EN 60065 |
| Water and dust protection | acc. to IEC 60529, IP 65 |
| Emergency | acc. to BS 5839-8 / EN 60849 |
| Wind-force | acc. to NEN 6702: 2007 + A1: 2008, Bft11 |

| Region | Certification |
|--------|---------------|
| Europe | CE |

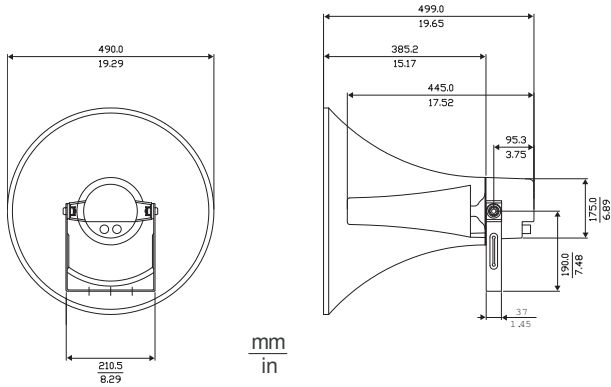
Installation/configuration notes

Simple Power Setting

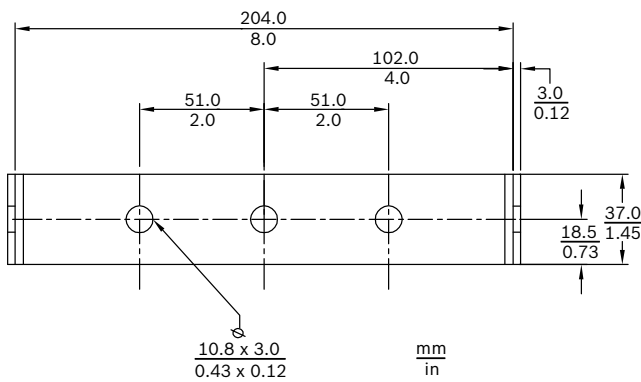
The horn has a three-way terminal block with screw connection (including earth). Three primary taps are provided on the matching transformer to allow selection of nominal full-power, half-power or quarter-power radiation (in 3 dB steps).

Mounting

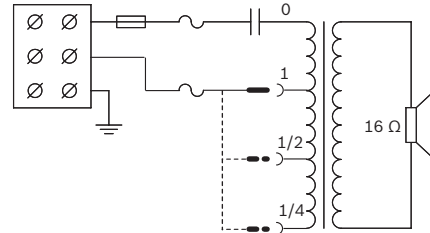
The horn loudspeakers are supplied complete with sturdy adjustable steel mounting brackets, allowing the sound beam to be accurately directed.



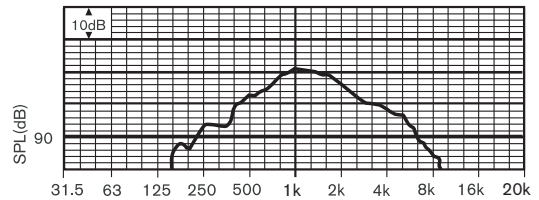
Dimensions in mm (in)



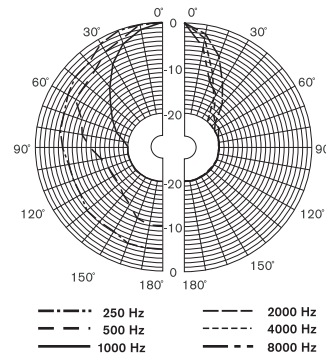
Bracket dimensions in mm (in)



Circuit diagram



Frequency response



Polar diagram (measured in pink noise)

Octave band sensitivity*

| | Octave SPL 1W/1m | Total octave SPL 1W/1m | Total octave SPL Pmax/1m |
|--------------|------------------|------------------------|--------------------------|
| 125 Hz | 84.3 | - | - |
| 250 Hz | 99.0 | - | - |
| 500 Hz | 105.2 | - | - |
| 1000 Hz | 111.0 | - | - |
| 2000 Hz | 106.2 | - | - |
| 4000 Hz | 99.2 | - | - |
| 8000 Hz | 91.2 | - | - |
| A-weighted | - | 103.3 | 117.7 |
| Lin-weighted | - | 103.5 | 116.3 |

Octave band opening angles

| | Horizontal | Vertical |
|--|------------|----------|
| | | |

| | | | |
|---------|-----|-----|--|
| 125 Hz | - | - | |
| 250 Hz | 179 | 179 | |
| 500 Hz | 93 | 93 | |
| 1000 Hz | 55 | 55 | |
| 2000 Hz | 37 | 37 | |
| 4000 Hz | 26 | 26 | |
| 8000 Hz | 15 | 15 | |

Acoustical performance specified per octave

* (all measurements are done with a pink noise signal; the values are in dB SPL)

Parts included

| Quantity | Components |
|----------|------------------------------|
| 1 | LBC 3484/00 Horn Loudspeaker |
| 1 | PG 13.5 cable gland (fitted) |

Technical specifications

Electrical *

| | |
|---|-----------------------|
| Maximum power | 75 W |
| Rated power | 50 / 25 / 12.5 W |
| Sound pressure level at 50 W / 1 W (1 kHz, 1 m) | 127 dB / 110 dB (SPL) |
| Effective frequency range (-10 dB) | 350 Hz to 4 kHz |
| Opening angle at 1 kHz/4 kHz (-6 dB) | 60° / 28° |
| Rated voltage | 100 V |
| Rated impedance | 200 ohm |
| Connector | Screw terminal block |

Mechanical

| | |
|-----------------------|------------------------------------|
| Dimensions (L x Dmax) | 499 x 490 mm (20 x 19.6 in) |
| Weight | 6 kg (13.22 lb) |
| Color | Light grey (RAL 7035) |
| Cable diameter | 6 mm to 12 mm (0.24 in to 0.47 in) |

Environmental

| | |
|-----------------------|--------------------------------------|
| Operating temperature | -25 °C to +55 °C (-13 °F to +131 °F) |
| Storage temperature | -40 °C to +70 °C (-40 °F to +158 °F) |
| Relative humidity | <95% |

Ordering information

LBC 3484/00 Horn Loudspeaker

50 W, aluminum, circular
Order number **LBC3484/00**

Accessories

LBC 3472/00 Driver Unit

25 W, 100 V
Order number **LBC 3472/00**

LBC 3473/00 Driver Unit

35 W, 100 V
Order number **LBC 3473/00**

LBC 3474/00 Driver Unit

50 W, 100 V
Order number **LBC3474/00**

LBC 3478/00 Horn, 14" without Driver

aluminum, suitable for use with driver units LBC 3472/00, LBC 3473/00, and LBC 3474/00
Order number **LBC 3478/00**

LBC 3479/00 Horn, 20" without Driver

aluminum, suitable for use with driver units LBC 3472/00, LBC 3473/00, and LBC 3474/00
Order number **LBC 3479/00**

Represented by:

Americas:

Bosch Security Systems, Inc.
12000 Portland Avenue South
Burnsville MN 55337, USA
Phone: +1-800-392-3497
Fax: +1-800-955-6831
audiosupport@us.bosch.com
www.boschsecurity.com

Europe, Middle East, Africa:

Bosch Security Systems B.V.
P.O. Box 80002
5617 BA Eindhoven, The Netherlands
Phone: + 31 40 2577 284
Fax: +31 40 2577 330
emea.securitysystems@bosch.com
www.boschsecurity.com

Asia-Pacific:

Robert Bosch (SEA) Pte Ltd, Security
Systems
11 Bishan Street 21
Singapore 573943
Phone: +65 6571 2808
Fax: +65 6571 2699
apr.securitysystems@bosch.com
www.boschsecurity.asia

China:

Bosch (Shanghai) Security Systems Ltd.
201 Building, No. 333 Fuquan Road
North IBP
Changning District, Shanghai
200335 China
Phone +86 21 22181111
Fax: +86 21 22182398
www.boschsecurity.com.cn

America Latina:

Robert Bosch Ltda Security Systems Division
Via Anhanguera, Km 98
CEP 13065-900
Campinas, Sao Paulo, Brazil
Phone: +55 19 2103 2860
Fax: +55 19 2103 2862
al.securitysystems@bosch.com
www.boschsecurity.com