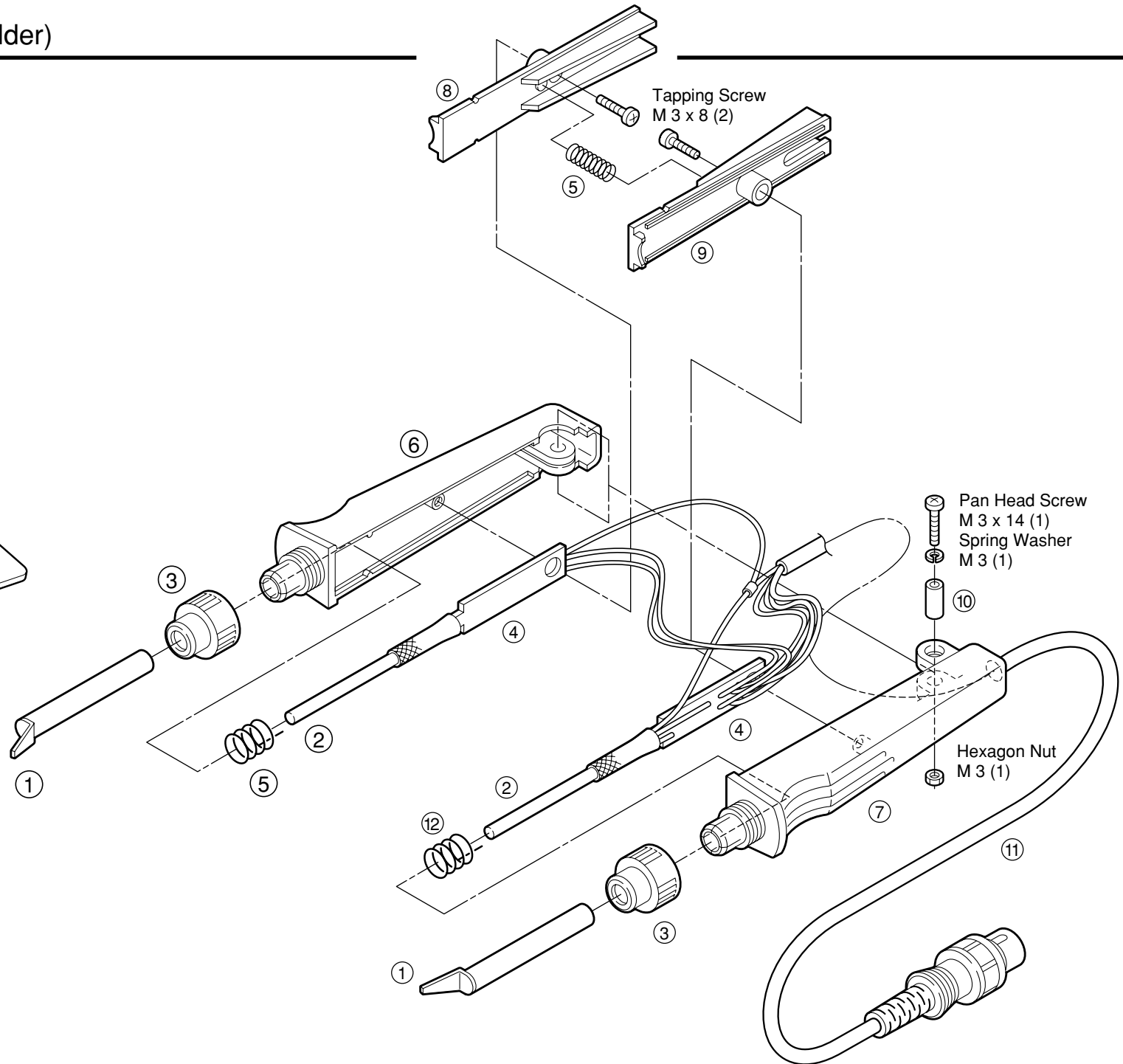
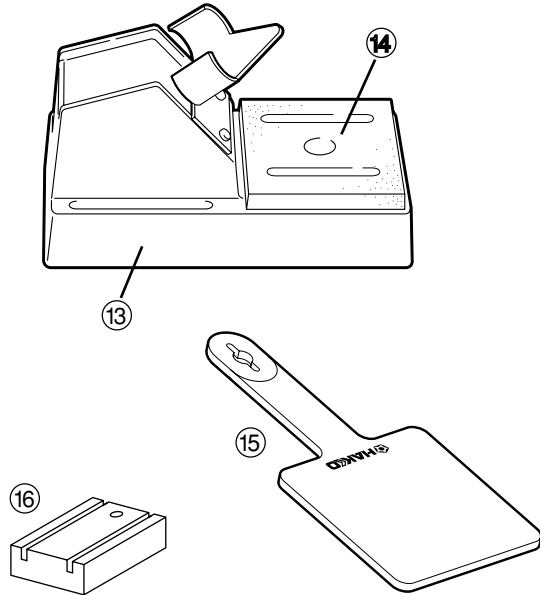


Parts List (Tweezer/Iron Holder)

Note: Spare or repair parts do not include mounting screws, if they are not listed on the description. Screws must be ordered separately.



Item No.	Part No.	Part Name	Description
1		Tip	See P.13
2	A1377	Heating Element	24V-50W (25W x 2)
3	B2289	Nipple	
4	B2290	Terminal	
5	B2295	Tension Spring	
6	B2292	Handle A	
7	B2294	Handle B	
8	B2291	Handle Cover A	
9	B2293	Handle Cover B	
10	B2296	Strut Pin	
11	B2097	Cord Asse'y	
12	B2032	Grounding Spring	
13	C1313	Iron Holder	With Cleaning Sponge
14	A1386	Cleaning Sponge	
15	B2300	Heat Resistance Pad	
16	B2301	Tip Alignment Tool	