

2011 range by resi-linx®

resi-linx®



UPDATE RESI-LINX RANGE OF PRODUCTS 2011

The resi-linx® Multi-Room systems for Audio, Audio/Video, and Infra-Red remote control for transmission over RF or CAT5. New range of Bluetooth Stereo Audio is now available.

'linx-Audio' Bluetooth Systems
by resi-linx® NEW !



'linx-Audio' Multi Room
Audio range by resi-linx



'linx-AV' AV Distribution
Systems by resi-linx®



new 'linx-IR' Discrete IR
range by resi-linx®



'linx-RF' Video Distribution
system by resi-linx



GLOBAL
PROCUREMENT
SPECIALISTS

Phone: 02 9797 9866
Fax: 02 9716 6015
Email: sales@wes.net.au
Web: www.wes.net.au

resi-linx®

'linx-Audio' Bluetooth Systems by resi-linx®

resi-linx 'linx-Audio' Bluetooth range of products allow you to wirelessly stream audio from your portable device (iTouch, iPhone, iPad etc.) around your home or business with ease.

RL-BT110

Linx-Audio Bluetooth RL-BT110

"resi-linx" Mini Bluetooth Audio Receiver Module Kit. c/w Power Supply. Blister packed for POS display. Range up to 15m.



RL-BT120

Linx-Audio Bluetooth RL-BT120

"resi-linx" Professional Bluetooth Audio Receiver Bluetooth Receiver Module. c/w Bluetooth Antenna and Power Supply. Range up to 25m



RL-BT100

Linx-Audio Bluetooth RL-BT100

"resi-linx" Bluetooth In-Ceiling Amplifier. Wireless technology enabled. C/W Target Indicator Module, remote control, Hi-Gain Bluetooth Antenna and Power Supply, Target Indicator Module (TIM).



RL-B430

Linx-Audio Bluetooth RL-BT430

"resi-linx" Single Input Module for Bluetooth System. Use to send an Audio Source to the RL-BT100 Amplifier.



GLOBAL
PROCUREMENT
SPECIALISTS

Phone: 02 9797 9866
Fax: 02 9716 6015
Email: sales@wes.net.au
Web: www.wes.net.au

resi-linx®

'linx-Audio' Bluetooth Systems by resi-linx®

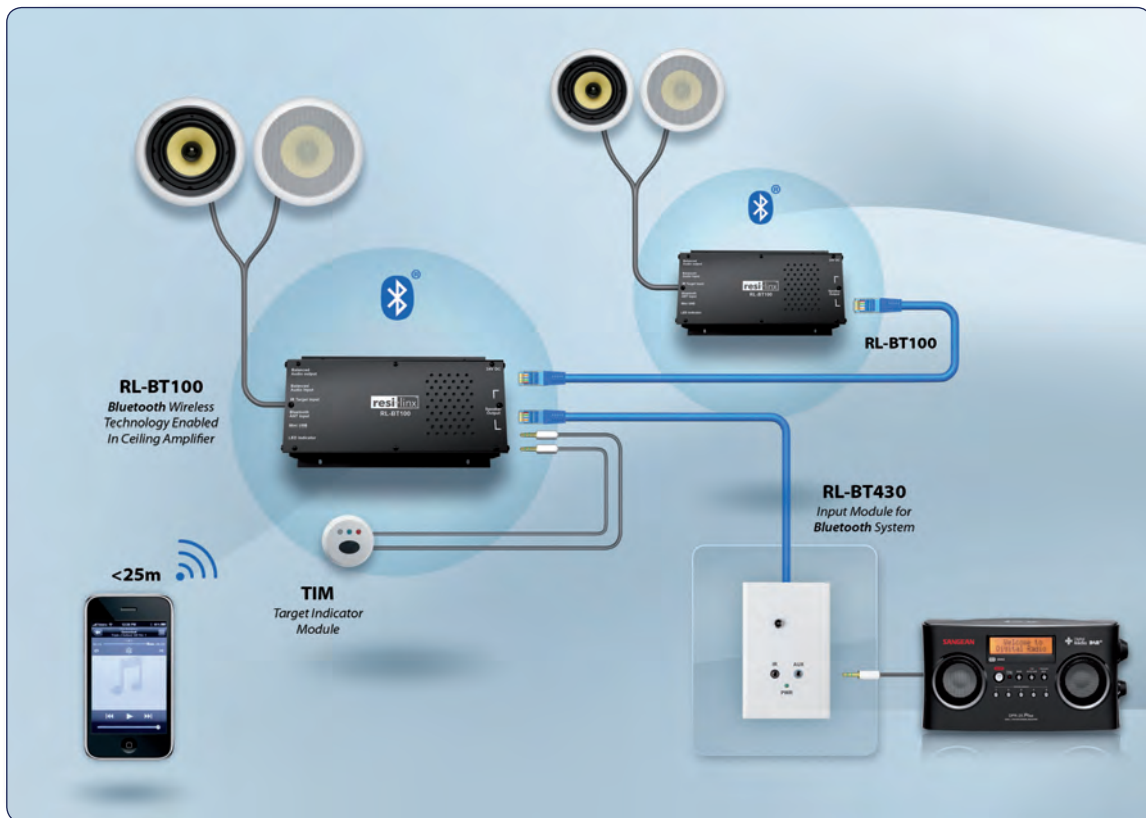
BLUETOOTH INSTALLATION

- Quality audio listening through your AV audio system and speakers
- No messy cables tying you down
- Personalise your Bluetooth ID to easily identify zones eg. kitchen, outdoor etc

Bluetooth Audio Receivers



Bluetooth Audio System



GLOBAL
PROCUREMENT
SPECIALISTS

Phone: 02 9797 9866
Fax: 02 9716 6015
Email: sales@wes.net.au
Web: www.wes.net.au

resi-linx®

'linx-Audio' Multi Room Audio range by resi-linx®



Linx-Audio Multi Room Audio Range

The resi-linx® 'linx-Audio' Multi Room Audio system offers a high quality audio distribution system for a home or business, allowing you to listen to your desired music source from multiple zones.

Distribution Module

The resi-linx® Audio Distribution Hub can be located either where your equipment is, or centrally within the installation. You can connect up to 4 audio sources. Add resi-linx® IR Emitters and you have full IR control of each source. The hub remotely powers each zone Volume Control, and the Local and Remote Input Modules.

Amplified Volume Controls

Connect up to four Amplified Volume Controls to the Distribution Module using (CAT 5/6) UTP and figure 8 cables (up to a distance of 50m). Manage the sound level of each zone without affecting the sound level in the other zones. IR return path gives the ability to control the central audio device remotely within each zone.

Local Input Module

With the addition of a Local Input Module to a zone you can listen to your own person player (MP3, DVD etc) within that room without affecting the other zones throughout the system.

Remote Input Module

The resi-linx® Remote Input Module elevates the 'linx-Audio' Multi Room Audio system to another level. Connect an audio source (Media Server, PC etc) from a remote location to the Distribution Module using UTP cable. Add resi-linx® IR Emitters (RL-IR700/800) and you have full IR control of the source.

Speakers

Run speaker cable from each Volume Control to connect resi-linx® speakers mounted within each zone. The resi-linx® in-wall and in-ceiling speakers use quality Kevlar (KV) material. They offer 4th stage 24/24dB crossover for both tweeter and woofer for a superior sound. The range is complimented by outdoor speakers which come in a modern housing, making them ideal for all your outdoor applications. Complete with point of sale packaging, resi-linx® speakers are the perfect attribute to your audio installation requirements.



GLOBAL
PROCUREMENT
SPECIALISTS

Phone: 02 9797 9866
Fax: 02 9716 6015
Email: sales@wes.net.au
Web: www.wes.net.au



'linx-Audio' Multi Room Audio range by resi-linx®

MULTI ROOM AUDIO Components

Distribute an audio signal from one area to another over CAT5/6 (UTP) cable.

VOLUME CONTROL

RL-MRA210 Volume Control has a powerful inbuilt 12W RMS amplifier. Remotely powered by cable connected to RL-MRA310. Inbuilt IR target with talk-back LED to control source from a remote location. Backlit keypad and LCD display. Includes remote control - source, volume etc.



DIST MODULE

RL-MRA310 is a 4 source Audio Distribution Module. Connects to Volume Controls via RJ45 sockets. Audio source input via 3.5mm mini jack. Push clamp terminals for Volume Control power cable. IR control of source via emitter output ports. System status display (source to zone indication).



INPUT MODULE

RL-MRA410 Electronic Local Input Module adds an additional source to the local Zone Volume Control. With auto input sensing electronic switching. Powered remotely by RL-MRA310. IR emitter port for control of local device.



REMOTE INPUT

RL-MRA450 wall plate style Input Module. Connects Audio Source/s to RL-MRA310 from a remote location (for Media Server, PC, etc). Ideal for Structured Cabling or Home Theatre set ups. Powered remotely by RL-MRA310. IR capable and LED power indication.



GLOBAL
PROCUREMENT
SPECIALISTS

Phone: 02 9797 9866
Fax: 02 9716 6015
Email: sales@wes.net.au
Web: www.wes.net.au

resi-linx®

'linx-Audio' Multi Room Audio range by resi-linx®

MULTI ROOM AUDIO Accessories

Accessories available to complete your distribution needs.

POWER SUPPLY

RL-MRA500 24V Power Supply for Multi Room Audio system. Electronically controlled switching adaptor with 4A output. Includes circuit protection.



FACE PLATES

RL-MRA2B, 2S interchangeable face plates for RL-MRA210. Available in black(2B) or silver(2S).



SPEAKERS

RL-AR100 In-ceiling and RL-AR110 In-wall speakers are designed to be flush mounted to eliminate the need for an enclosure. With 60W RMS output, high quality Kevlar drivers and <90dB sensitivity they offer quality stereo sound. The RL-AR120 Outdoor speakers produce 35W RMS output. With polypropylene driver, high impact plastic cabinet and powder coated aluminium grille.



GLOBAL
PROCUREMENT
SPECIALISTS

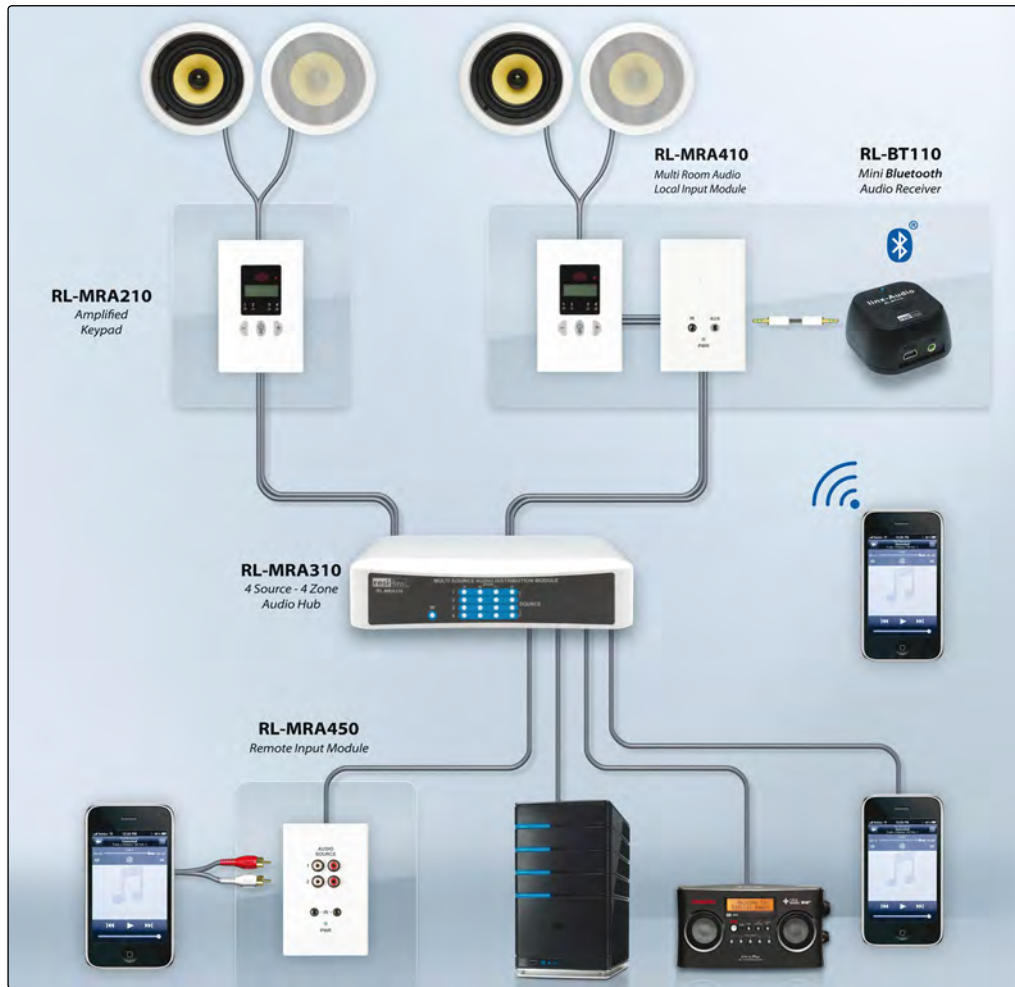
Phone: 02 9797 9866
Fax: 02 9716 6015
Email: sales@wes.net.au
Web: www.wes.net.au

resi-linx®

'linx-Audio' Multi Room Audio range by resi-linx[®]

MULTI ROOM AUDIO Installation

Distribute an audio signal from one area to another over CAT5/6 (UTP) cable.



Back RL-MRA210



GLOBAL
PROCUREMENT
SPECIALISTS

Phone: 02 9797 9866
Fax: 02 9716 6015
Email: sales@wes.net.au
Web: www.wes.net.au

resi-linx[®]

New 'linx-AV' range from resi-linx®



Linx-AV Balun & Matrix AV Range

The resi-linx® 'linx-AV' Balun and Matrix range offer stand-alone AV solutions for all your Composite and Component Video and Audio Distribution requirements.

Point to Point Baluns

resi-linx® Composite AV Baluns are ideal for sending an AV signal from one location to another - up to 300m away. Transmission of power through the cable enables remote powering of a CCTV camera. Use resi-linx® 1:1 Component Baluns to send Component Video and Digital Audio signals along the cable up to 100M. Both our Composite and Component Baluns are sold as a set, and use a single UTP cable.

Multi Zone Baluns

The Component Multi Zones system sends Component Video combined with both Digital and Analogue Audio signals, and is a two cable solution. The Composite Multi Zone system allows for single cable AV distribution.

Matrix Solutions

At the height of the range, our 'linx-AV' Matrix Switches offer Composite and Component solutions, distributing 4 sources to up to 8 zones. The Composite Matrix Switch is a single cable solution, while the Component Matrix Switch offering enhanced Component video quality distribution, is a two cable system. RS-232 connectivity makes this product ideal for connecting to systems for control.

Enhanced Audio

With the addition of the resi-linx® Audio Input Module, audio signals distributed by any balun within the 'linx-AV' range can be heard through ceiling or wall speakers. The Audio Input Module connects locally from the Receiver Balun connection to an Amplified Volume Control and speakers within that zone, greatly enhancing sound performance and is ideal for larger rooms.

IR Control

Both the 'linx-AV' Multi Zone and Matrix Solutions feature return path IR. Adding resi-linx® IRTargets and Emitters to these systems allows independent control of the AV devices from each zone. Taking this one step further, both the Composite and Component Matrix Solutions offer our 'linx-IR' Discrete IR feature, allowing two of the same receiver (Foxtel® etc.) to be distributed around the home/business, and be independently controlled from different rooms.



GLOBAL
PROCUREMENT
SPECIALISTS

Phone: 02 9797 9866
Fax: 02 9716 6015
Email: sales@wes.net.au
Web: www.wes.net.au



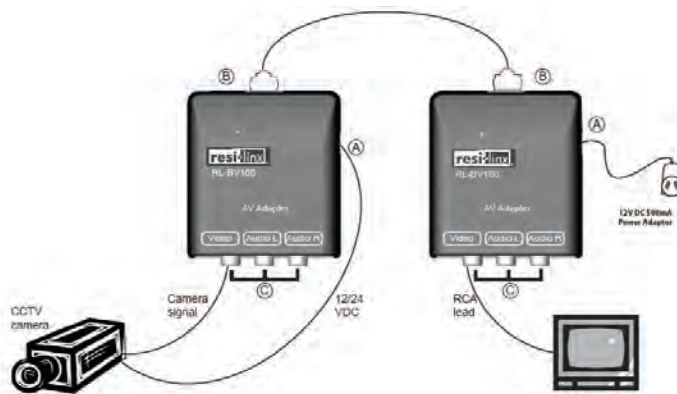
'linx-AV' AV Distribution Systems by resi-linx[®]

POINT TO POINT Baluns

Available in Composite and Component. Send an AV signal from one area to another over CAT5/6 cable.

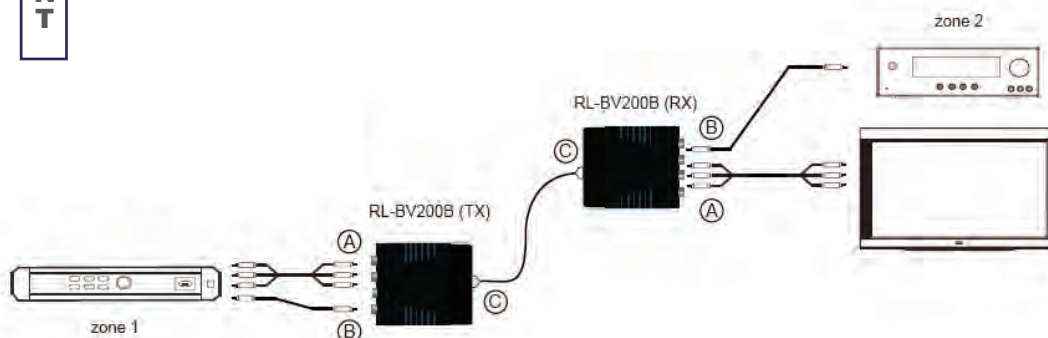
COMPOSITE

RL-BV100 allows you to send Composite Video and Audio from one location to another (with remote power option) – up to 300 metres away on one CAT5/6 cable



COMPONENT

RL-BV200 allows you to send Component Video and Digital Audio from one location to another – up to 100 metres away on one CAT5/6 cable



GLOBAL
PROCUREMENT
SPECIALISTS

Phone: 02 9797 9866
Fax: 02 9716 6015
Email: sales@wes.net.au
Web: www.wes.net.au

resi-linx[®]

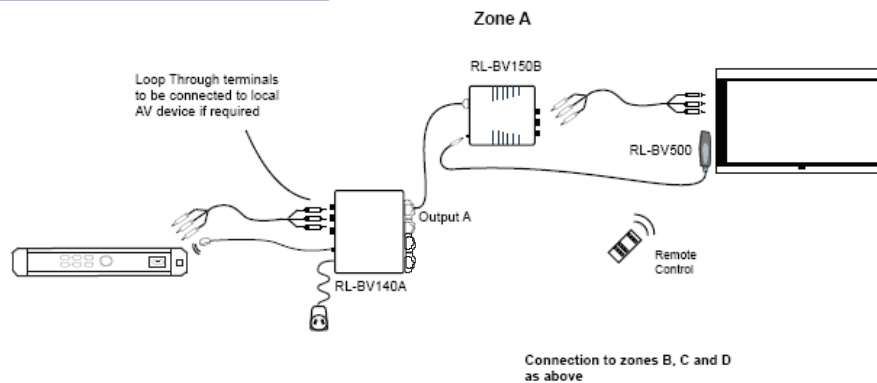
'linx-AV' AV Distribution Systems by resi-linx®

MULTI ZONE Baluns

Available in Composite and Component. Send any AV signal from one location to up to 4 different locations over CAT5/6 cable. Features IR return path from each zone for control of the AV device.

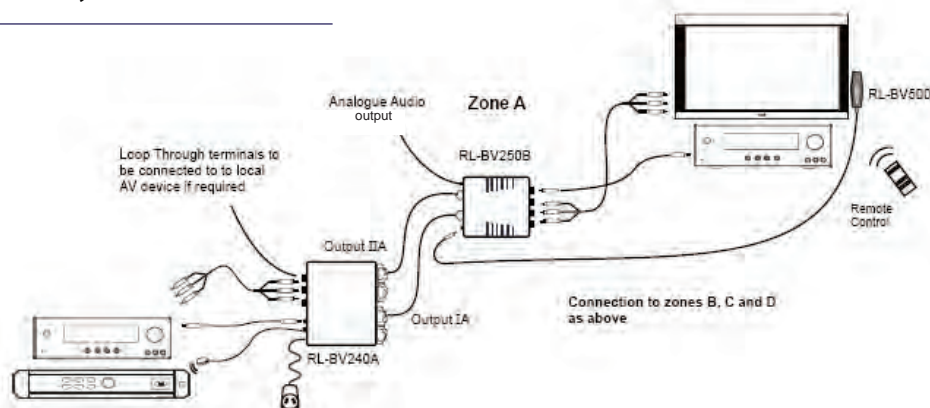
COMPOSITE

RL-BV140A (transmitter) is a single composite input module with AV loop through (ideal for passing the AV signal to a device close to the source). It then distributes the AV signal to up to 4 different zones using one CAT5/6 cable for each zone. Each zone requires an RL-BV150B (receiver balun) which has AV outputs for your TV. For IR control, add an RL-BV500 (target) which connects to the RL-BV150B and now you can control the AV device from that zone.



COMPONENT

RL-BV240A (transmitter) is a single Component Video and Digital & Analogue audio input module with AV loop through (ideal for passing the AV signal to a device close to the source). It then distributes the AV signal to up to 4 different zones using two CAT5/6 cables for each zone. Each zone requires a RL-BV250B (receiver balun) which has AV outputs for your TV. For IR control, add an RL-BV500 (target) which connects to the RL-BV250B and now you can control the AV device from that zone.



GLOBAL
PROCUREMENT
SPECIALISTS

Phone: 02 9797 9866
Fax: 02 9716 6015
Email: sales@wes.net.au
Web: www.wes.net.au



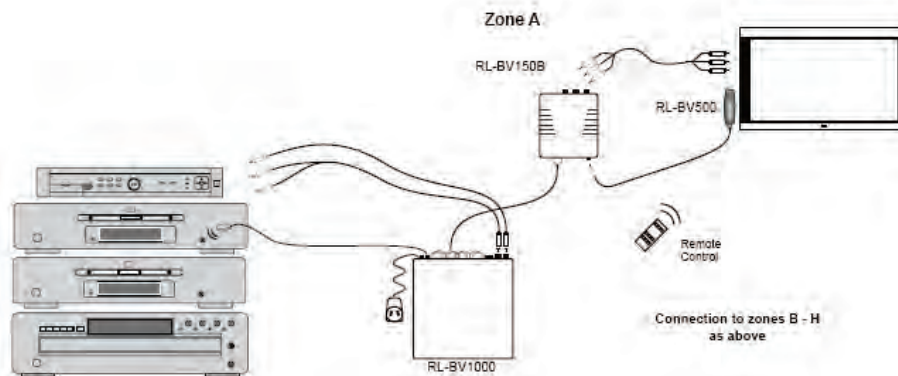
'linx-AV' AV Distribution Systems by resi-linx[®]

MATRIX SOLUTIONS

Available in Composite and Component. Distribute up to 4 different AV devices (Foxtel, DVD, DVR, STB etc) to 8 different zones over CAT5/6 cable with IR return path.

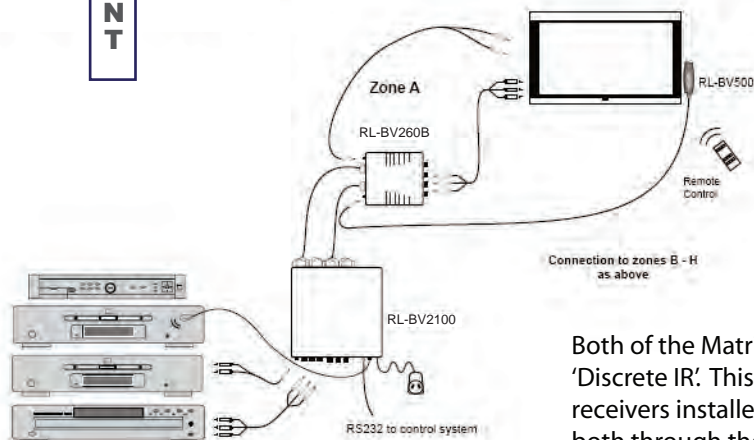
COMPOSITE

RL-BV1000 is a 4 source to 8 zone Composite Matrix Transmitter, sending AV signals to up to 8 different zones around the home. This will allow each zone to pick which of the 4 AV devices it wants to watch. With built-in IR return path, each zone can control the AV device as well.



COMPONENT

RL-BV2000 is a 4 source to 8 zone Component Matrix Transmitter, sending AV signals to up to 8 different zones around the home. This will allow each zone to pick which of the 4 AV devices it wants to watch. With built-in IR return path, each zone can control the AV device as well.



Both of the Matrix solutions offer a unique feature called 'Discrete IR'. This feature allows you to have two of the same receivers installed (i.e two Foxtel boxes) and distribute them both through the same system.



GLOBAL
PROCUREMENT
SPECIALISTS

Phone: 02 9797 9866
Fax: 02 9716 6015
Email: sales@wes.net.au
Web: www.wes.net.au

resi-linx[®]

new 'linx-IR' Discrete IR range by resi-linx®



Linx-IR Discrete IR system

resi-linx® 'linx-IR' is a patented stand alone Discrete IR system for a home or business using Cat 5/6 (UTP) cable. The system sends IR signals to AV devices from multiple zones back to a central location.

Distribution Module

The resi-linx® Distribution Module is the heart of the system. It sends the signal from the remote control to the centrally located AV device. Its emitter output ports are divided up to be either Common, Discrete A, Discrete B, or Direct IR lead connection.

Receiver Module

The Receiver Module (inc. slimline Target) receives IR commands through the Distribution Module from the remote controls in each zone, and sends the signal over UTP cable to the centrally located AV device. Where two of the same AV devices are installed within the one system (eg. Foxtel) choose via dip switch selection Discrete A or Discrete B, for independant control of each box.

Distribution Hub

The 'linx-IR' Distribution Hub easily expands the system. This versatile hub can stand alone or be mounted in a Structured Cabling enclosure, allowing for simple termination through RJ45 and/or IDC punchdown terminals.

IR Emitters

The resi-linx® range of IR Emitters will compliment your installation and give full IR control of the AV source. Offering superior reliability and performance in 'noisy areas', they are LCD / LED panel and Plasma Friendly. All resi-linx® IR systems are Foxtel Approved, making them compatible with all Foxtel set top boxes. resi-linx® IR Target Mounts and Emitter Shields accurately project the signals when used in Discrete IR installations.

IR Kit

Attractively packaged for Point of Sale, resi-linx® Plug 'n' Play IR kit is perfect for the DIY and/or custom installation market. The IR repeater kit can control an AV device at a remote location. Kit includes Junction Box, Flat IR Target, 2 x Double Emitters and power supply.



GLOBAL
PROCUREMENT
SPECIALISTS

Phone: 02 9797 9866
Fax: 02 9716 6015
Email: sales@wes.net.au
Web: www.wes.net.au



new 'linx-IR' Discrete IR range by resi-linx®

INFRA RED Components

Independantly control two of the same device (Foxtel etc.)
from different rooms over CAT5/6 (UTP) cable.

D I S T R I B U T I O N M O D U L E

RL-IR305 Discrete IR Distribution Module. Connect up to 7 AV devices and distribute to multiple zones using UTP cable. Maximum cable distance of 60 m. Includes switch mode power supply and direct IR lead.



R E C E I V E R M O D U L E

RL-IR505 Discrete IR Receiver Module and Target. Receives commands from the remote control in the local zone, and sends the signal over UTP cable to the AV device in another room. For additional zones Loop Wire up to 7 Targets. Powered remotely by RL-IR305. For Discrete IR installations use RL-ACC150 Target Mount (sold separately).



D I S T R I B U T I O N H U B

RL-IR170 Distribution Hub is designed for Structured Cabling enclosures. Easily connect up to 7 RL-IR505 Receiver Modules to the system in a Star Wired configuration over UTP cable. Connections 8 x IDC terminations and 8 x RJ45 sockets.



GLOBAL
PROCUREMENT
SPECIALISTS

Phone: 02 9797 9866
Fax: 02 9716 6015
Email: sales@wes.net.au
Web: www.wes.net.au

resi-linx®

new 'linx-IR' Discrete IR range by resi-linx®

INFRA RED Accessories

Accessories available to complete your distribution needs.

S I N G L E E M I T T E R

RL-IR700 Single head IR Emitter. Repeats the IR signal sent from the remote control to the AV equipment in another room. 3.5mm mini mono jack connector, 1.75m cord length. For Discrete IR installations use RL-ACC160 Emitter Shield (sold separately).



D O U B L E E M I T T E R

RL-IR800 Double head IR Emitter. Repeats the IR signal sent from the remote control to the AV equipment in another room. 3.5mm mini mono jack connector, 1.75m cord length. For Discrete IR installations use RL-ACC160 Emitter Shield (sold separately).



2 I N 1 O U T E M I T T E R

RL-IR900 2 in / 1 out Single head IR Emitter. Ideal for full IR control where two Distribution Hubs are installed. 2 x 3.5mm mini mono jack connector, 1.75m cord length. For Discrete IR installations use RL-ACC160 Emitter Shield (sold separately).



I R K I T

RL-IR100 plug 'n' play IR Kit. Control an AV device at a remote location (up to 2.7m). Includes IR Target, Junction Box, Double Emitter and Switch Mode power supply. Blister packed for POS display. Target reception distance of 10m. For Discrete IR installations use RL-ACC150 Target Mount (sold separately).



GLOBAL
PROCUREMENT
SPECIALISTS

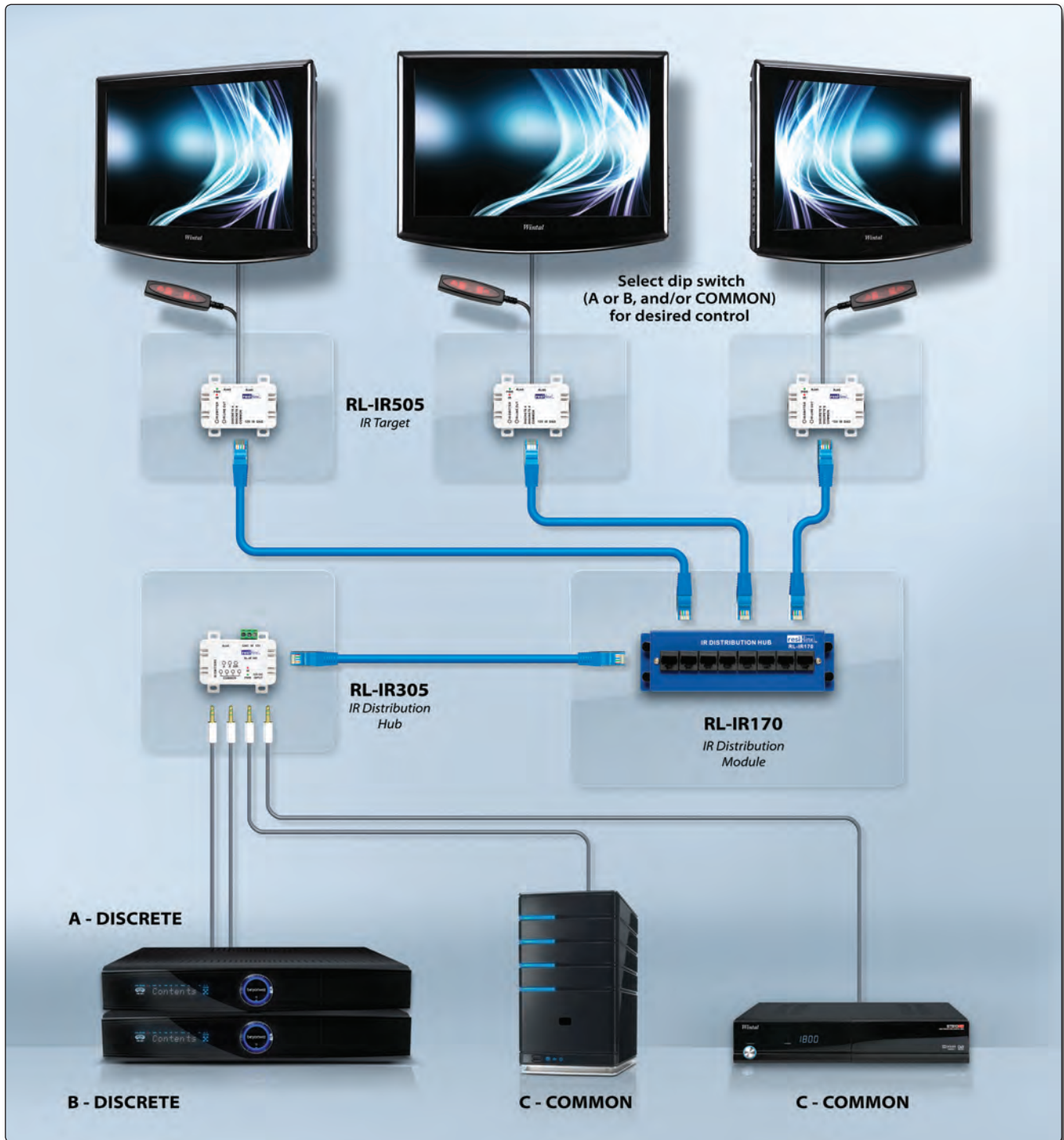
Phone: 02 9797 9866
Fax: 02 9716 6015
Email: sales@wes.net.au
Web: www.wes.net.au

resi-linx®

new 'linx-IR' Discrete IR range by resi-linx®

INFRA RED Installation

Independantly control two of the same device (Foxtel etc.) from different rooms over CAT5/6 (UTP) cable.

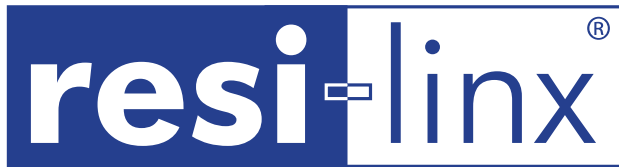


GLOBAL
PROCUREMENT
SPECIALISTS

Phone: 02 9797 9866
Fax: 02 9716 6015
Email: sales@wes.net.au
Web: www.wes.net.au

resi-linx®

'linx-RF' Video Distribution system by resi-linx®



Linx-RF Video Distribution system

resi-linx® 'linx-RF' Video Distribution system allows consumers to watch and control AV devices from multiple TV's around the home or office. Combine with resi-linx® accessories for full IR control.

Modulators

resi-linx® 'linx-RF' range of modulators create a separate TV channel for each AV device. resi-linx® 'True A2 stereo' audio modulators offer superior sound of the modulated device - ideal for LCD / LED Panel and Plasma TV's. Available in single, dual and quad channel models to suit all installations.

Video Hubs

resi-linx® Video Hubs are designed for whole house video distribution. They are active, low loss combiners and splitters with multiple inputs and outputs. The Video Hub combines the new modulated channels with the Digital and Analogue Free to Air channels, and routes the output to all TV's via coax cable. The Video Hubs can be powered directly by plug packs, or remotely by resi-linx® modulators.

IR Control

The addition of resi-linx® IR Targets and Emitters will compliment your installation and give full IR control of the AV source. Offering superior reliability and performance in 'noisy areas', they are LCD / LED panel and Plasma Friendly. All resi-linx® IR systems are Foxtel Approved, making them compatible with all Foxtel set top boxes.



GLOBAL
PROCUREMENT
SPECIALISTS

Phone: 02 9797 9866
Fax: 02 9716 6015
Email: sales@wes.net.au
Web: www.wes.net.au



'linx-RF' Video Distribution system by resi-linx®

RADIO FREQUENCY Modulators

Watch and control AV devices from multiple TV's around the home / office over coax cable.

S
I
N
G
L
E
M
O
N
O

RLRF100 Single Input agile video modulator. Converts video and audio signal to a user selected UHF channel. PLL frequency stability. Includes 12V DC 500mA Switch Mode power supply and 2 x RCA cables



S
I
N
G
L
E
S
T
E
R
E
O

RL-RF115 Single Input agile AV true stereo modulator. Channel selection via buttons with LED display. Loop through capability maintains AV quality signal at the source. Built-in IR control from each zone of the remotely located AV equipment. Includes 12V DC 1.5A Switch Mode power supply.



D
U
A
L
S
T
E
R
E
O

RL-RF125 Dual Input agile AV true stereo modulator. Channel selection via buttons with LED display. Loop through capability maintains AV quality signal at the source. Built-in IR control from each zone of the remotely located AV equipment. Includes 12V DC 1.5A Switch Mode power supply.



Q
U
A
D
S
T
E
R
E
O

RL-RF145 Quad Input agile AV true stereo modulator. Channel selection via buttons with LED display. Built-in IR control from each zone of the remotely located AV equipment. Includes 12V DC 1.5A Switch Mode power supply.



GLOBAL
PROCUREMENT
SPECIALISTS

Phone: 02 9797 9866
Fax: 02 9716 6015
Email: sales@wes.net.au
Web: www.wes.net.au

resi-linx®

'linx-RF' Video Distribution system by resi-linx®

RADIO FREQUENCY Splitters

Watch and control AV devices from multiple TV's around the home / office over coax cable.

1
I
N
2
O
U
T

RL-RF310 1 input, 2 output passive splitter. Allows reverse path IR control when combined with RL-RF380. Ideal for increasing the number of outputs on the RL-RF380 when eight outputs is insufficient. Powered remotely by RL-RF380.



1
I
N
4
O
U
T

RL-RF300 1 input, 4 output passive splitter. Allows reverse path IR control when combined with RL-RF380. Ideal for increasing the number of outputs on the RL-RF380 when eight outputs is insufficient. Powered remotely by RL-RF380.



3
I
N
8
O
U
T

RL-RF380 3 input, 8 output active, low loss combiner and splitter. Built-in gain control to eliminate signal problems from Free To Air input. Designed for mounting into shallow Structured Cabling enclosures. Includes 12V DC 1.5A Switch Mode power supply.



GLOBAL
PROCUREMENT
SPECIALISTS

Phone: 02 9797 9866
Fax: 02 9716 6015
Email: sales@wes.net.au
Web: www.wes.net.au

resi-linx®

'linx-RF' Video Distribution system by resi-linx®

RADIO FREQUENCY Accessories

Accessories available to complete your distribution needs.

S H E L F T O P T A R G E T

RL-RF200 Shelf Top RF IR Target. 2 x Coaxial connectors for input and output. Receives IR commands from remote controls and sends the signals to control the AV device at a remote location. Built-in LED to show acknowledgement of IR commands. 6m range. Plasma friendly.



F L A T R F I R T A R G E T

RL-RF210 Flat IR Target and Connector Box. 2 x in line Coaxial connectors for input and output. Receives IR commands from remote controls and sends the signals to control the AV device at a remote location. Built-in LED to show acknowledgement of IR commands. 6m range. Ideal for LCD / LED Panel and Plasma TV's.



S I N G L E E M I T T E R

RL-IR700 Single head IR Emitter. Repeats the IR signal sent from the remote control to the AV equipment in another room. 3.5mm mini mono jack connector, 1.75m cord length.



D O U B L E E M I T T E R

RL-IR800 Double head IR Emitter. Repeats the IR signal sent from the remote control to the AV equipment in another room. 3.5mm mini mono jack connector, 1.75m cord length.



GLOBAL
PROCUREMENT
SPECIALISTS

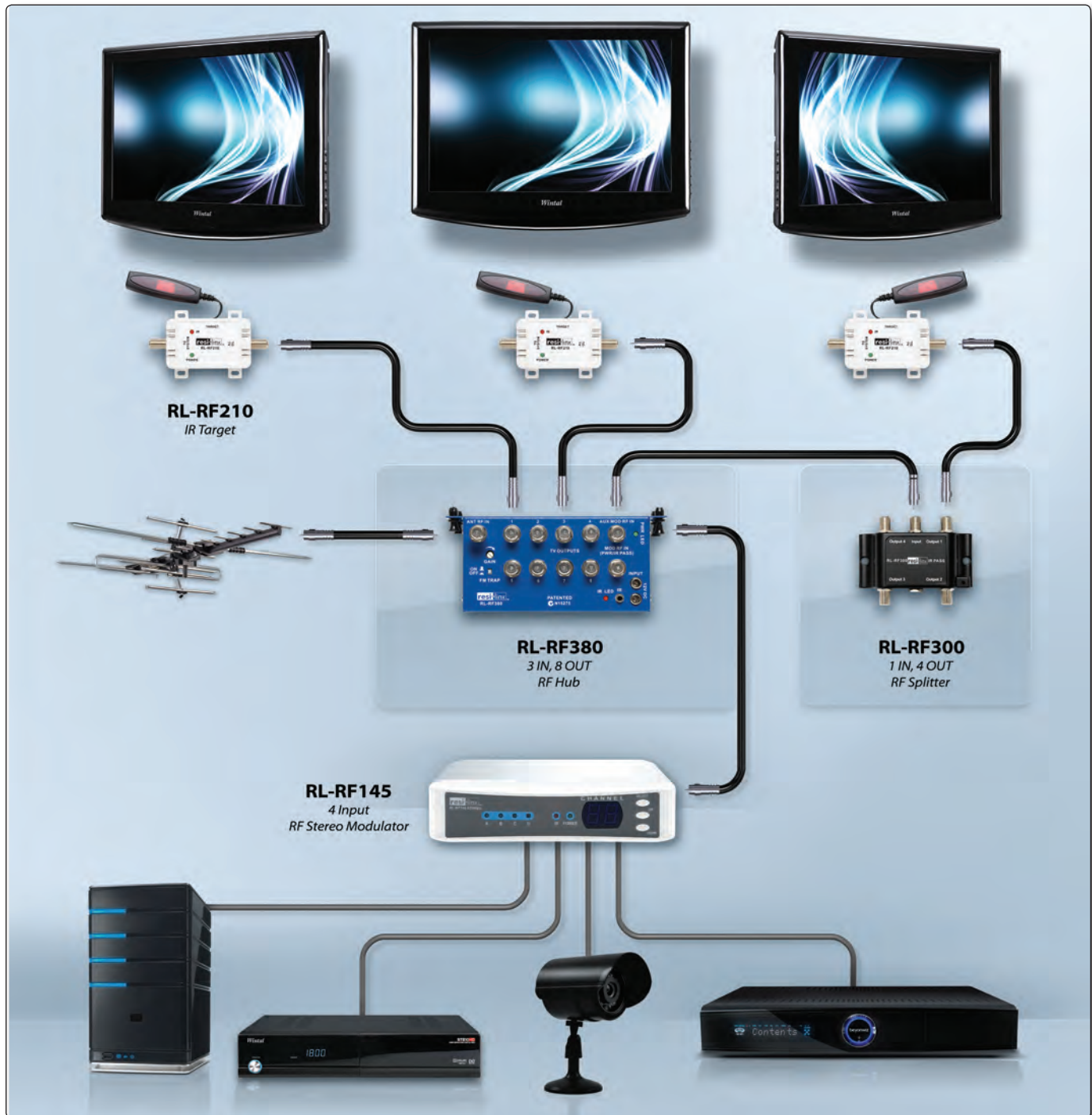
Phone: 02 9797 9866
Fax: 02 9716 6015
Email: sales@wes.net.au
Web: www.wes.net.au

resi-linx®

'linx-RF' Video Distribution system by resi-linx[®]

RADIO FREQUENCY Installation

Watch and control AV devices from multiple TV's around the home / office over coax cable.



GLOBAL
PROCUREMENT
SPECIALISTS

Phone: 02 9797 9866
Fax: 02 9716 6015
Email: sales@wes.net.au
Web: www.wes.net.au

resi-linx[®]